



1375 SE Wilson Ave. Suite 150

Bend OR 97702, USA

scott.philiben@ciescorp.com

541-408-1095

STC SA02511SE Installation Manual & Instructions for Continued
Airworthiness

CC Series Fuel Level Sender

DOCUMENT NUMBER: CC-TR-2840-031

TITLE: STC Installation Manual & Instructions for Continued
Airworthiness - CC Series Fuel Level Sender

REVISION: D

CUSTOMER: -

FILE NAME: CC-TR-2840-031

CUSTOMER RFP #: NONE

FAA PROJECT #: N/A

Revisions

LIST OF REVISIONS			
REV	DESCRIPTION	SIGNATURES	
N/C	Original Issue	March 8, 2017	STP CS
A	Page 9 revised sender designations to include the -3XX and -5XX for Resistive and Voltage senders. Page 14 revised the language to indicate that the resistor is now in the wire harness or incorporated in the sender, Page 16 added figures 5-8 and 5-9 for the Mooney and Beech Interface with the Garmin G1000 and the Piper Malibu indicating the current limiting resistor	March 16, 2018	STP CS
B	Page 8 added typical values for frequency. On page 18 Added Garmin Calibration procedure to bring Garmin Floor and Ceiling values in compliance with the fuel output specification, including figure 6-1 illustrating the Garmin calibration page. Page 19 Added a Rochester Gauges calibration procedure on as the method of adjusting the gage was non-intuitive. These changes moved content further down	April 23, 2018	STP CS
C	Revised the wording and added emphasis to insuring the float arm moves from the bottom to the top of tank and allowing the installer to bend the arm slightly to clear obstruction if present. Revised and renumbered Section 5 Revised Figure 5-6 to show voltage divider for analog is now internal to fuel sender body, Added Figure 5-9 to clarify and document Garmin G1000 interface for Mooney and G36 and G58 aircraft, Added Sections "Immersed Fuel Senders" and "JPI 9XX Analog Input"	Sep. 5, 2018	STP CS
D	Added Warning, Caution and Note definitions to highlight key points in the manual with visual graphics. Added Section 5.6 providing a schematic for JPI 9XX installations. Added section 7 TROUBLESHOOTING	May 1, 2019	STP

Warning Caution and Note Definitions



WARNING

A warning is used to bring to the installer's immediate attention not only damage to the fuel senders, but personal injury may occur if the instruction is disregarded



CAUTION

A caution means damage to the fuel senders or erratic fuel indication is possible if a procedural step is not followed



NOTE

A note provides additional information



WARNING

Failure to properly configure the CiES fuel senders to the appropriate cockpit instrumentation could result in serious injury, damage to equipment, or death.

Table of Contents

Revisions	2
1. INTRODUCTION	5
2. APPROVED CONFIGURATIONS:	6
3. GENERAL SPECIFICATIONS:	6
3.1. Physical Dimensions:.....	6
3.2. Mounting/Installation:.....	8
3.3. Mounting Details	9
4. ELECTRICAL INSTALLATION	10
4.1. Operating Voltage:.....	10
4.2. Power Consumption:	10
4.3. Signal Output Range(s):	11
4.4. Wire Color Designations	12
4.5. Connectors:.....	12
5. ELECTRIC INSTALLATION	13
5.1. BONDING (Metal and Metal Tank Aircraft Only)	14
5.2. GENERIC INSTALLATION SCHEMATICS - DIGITAL OUTPUT.....	15
5.3. ANALOG VOLTAGE OUTPUT.....	17
5.4. IMMERSED FUEL SENDERS.....	21
5.5. JPI 9XX ANALOG INPUT For Existing JPI instruments Installed in the aircraft and no new or converted:.....	22
5.6. JPI 9XX DIGITAL (Frequency) INPUT For New or Converted JPI instruments	24
5.7. ANALOG RESISTANCE OUTPUT:	25
6. CALIBRATION.....	26
6.1. Calibration Procedures:	26
6.2. Setting the Unusable Fuel Quantity:.....	26
6.3. Garmin Factory G1000.....	28
6.4. Garmin G600 Txi, & G500 Txi EIS-	28
6.5. Garmin G3X.....	28
6.6. Rochester Gauges –	29
6.7. REQUIREMENTS:	30
7. TROUBLESHOOTING	31
8. STC INSTRUCTIONS FOR CONTINUED AIRWORTHINESS	32

1. INTRODUCTION

This document provides the FAA-approved installation instructions for the installation of CiES fuel tank level sending units in accordance with STC SA02511SE on eligible aircraft models.

CiES CC-Series fuel senders are TSO certified to C55a and associated SAE AS405C.

They have met all the FAA Environmental Requirements & Complex Programmable Hardware Requirements for general aviation aircraft and the TSO.



CiES Fuel Senders are designed specifically for aircraft and the specific conditions encountered by aircraft. They are manufactured to precise standards and built to a quality system audited by the FAA.

CiES Fuel Senders are patented and patent pending technology and are not offered by any other manufacturer.

CiES Fuel Senders operate on a different principle than traditional float senders and are designed specifically for aircraft applications. **CiES** fuel senders measure the direction of a generated magnetic field direction at the pivot point of the float arm rotor assembly. Internal inside the body of the sender and outside the fuel, is a high precision electronic compass that is sensitive to the magnetic field direction. It is essentially a compass that points to north – only in this case north is the fuel float.

By disconnecting the float and float arm from the electronics or any mechanical system, the float is free to find the fuel surface without any encumbrance to movement up or down. **CiES** then utilizes a denser float to achieve a measure of damping as the float doesn't need to be sized to overcome friction.

By measuring magnetic field, precision is maintained throughout the life of the sender as mechanical slop, vibration or misalignment have no bearing on the accuracy of measurement. This is a difficult concept to understand, but basically no matter how you jostle an electronic compass – North is always North.



By keeping the electronics out of the fuel, the **CiES** fuel quantity system is safer, as no stray voltage spikes caused by faulty wiring, HIRF or Lightning can ever enter the fuel volume

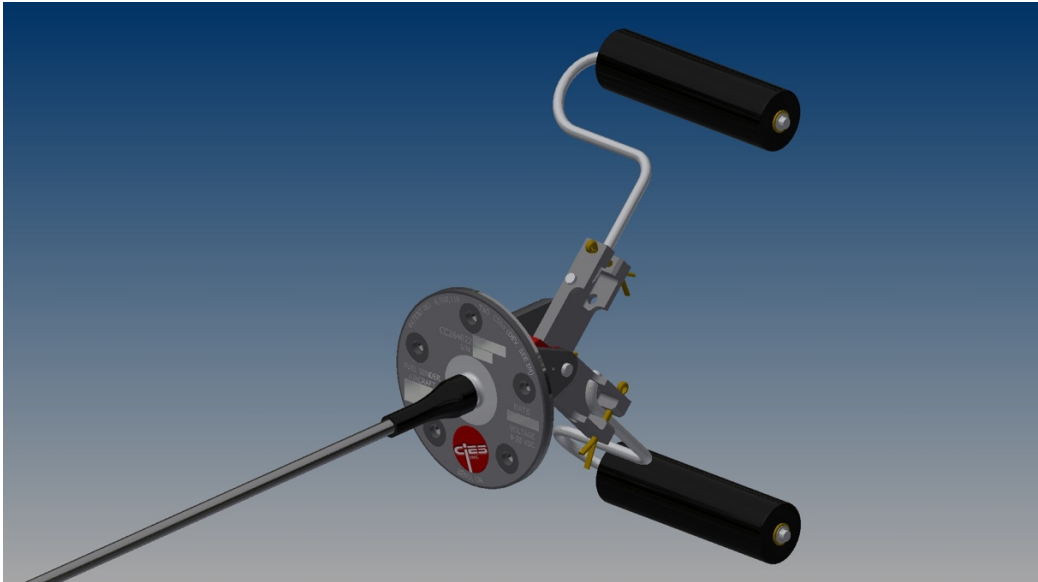


Figure 1-1 CiES Fuel Sender

2. **APPROVED CONFIGURATIONS:**

The combination of the CiES fuel sender part numbers and indicators approved on each applicable airplane model are listed in the AML tables of STC SA02511SE

3. **GENERAL SPECIFICATIONS:**

3.1. **Physical Dimensions:**

Floats, arm lengths, and travel angles vary depending on Aircraft application.



Mounting may be in any of the following clock formations 12 o'clock, 3 o'clock, 6 o'clock, 9 o'clock and are specific to the aircraft. Senders only mount 1 way. The new senders mount similarly to the replaced fuel senders and are designed for side or top mount configurations.



The placard, if installed, is not an indication or sender orientation.

Some PMA parts utilized for aircraft fuel tanks have patterns that are not identical to the OEM factory produced components. Contact CiES, Inc. if PMA parts don't allow for correct installation of the new sender.

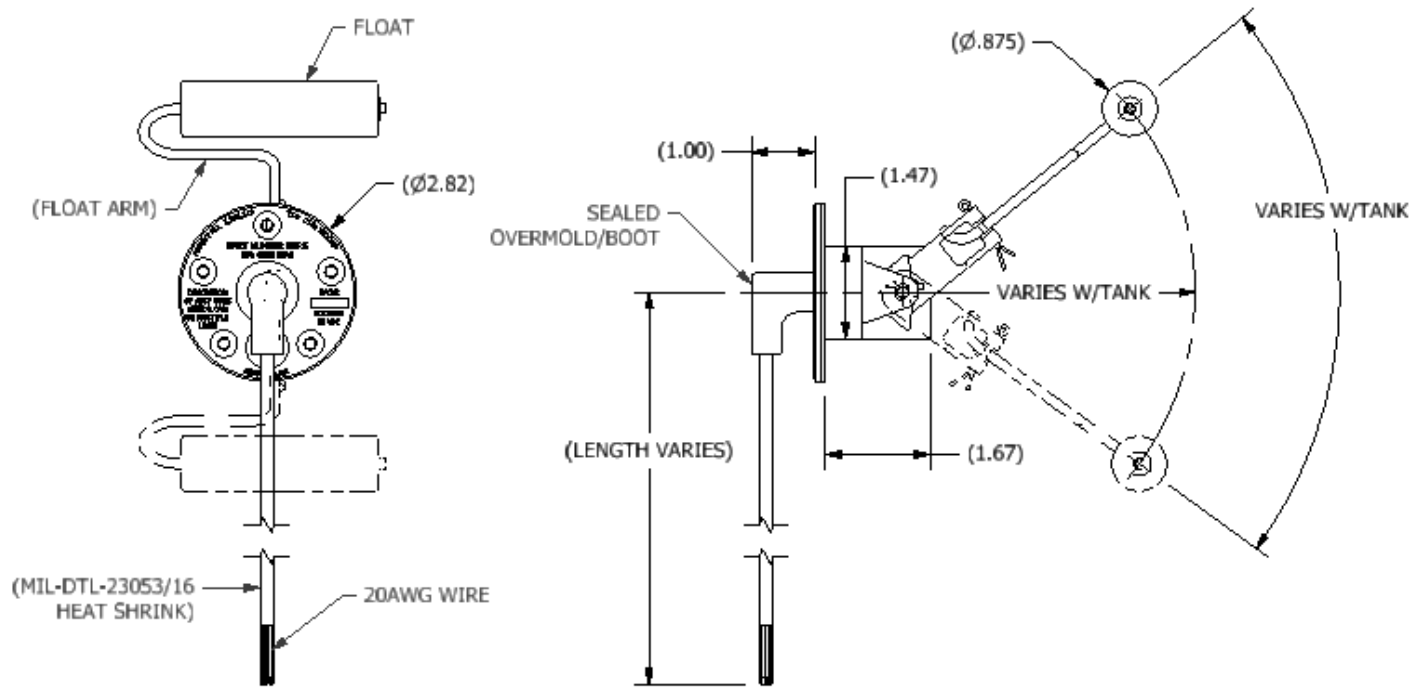


Figure 3-1 CiES Fuel Sender Dimensions

3.2. Mounting/Installation:



Prior to installing each fuel level sending unit, visually inspect the interior of the fuel tank through the mounting hole and any other appropriate available access to verify that each installed sending unit will not contact any obstructions or otherwise be restricted in its full range of motion.



Hardware is “NOT” supplied with senders unless requested. Use NAS or equivalent hardware as shown in the figure below. In retrofit applications, existing or equivalent hardware may be utilized to attach the sender body to the aircraft fuel tank. Reference the Aircraft Illustrated Parts Catalog for the appropriate hardware if you are in doubt of the appropriate hardware reference



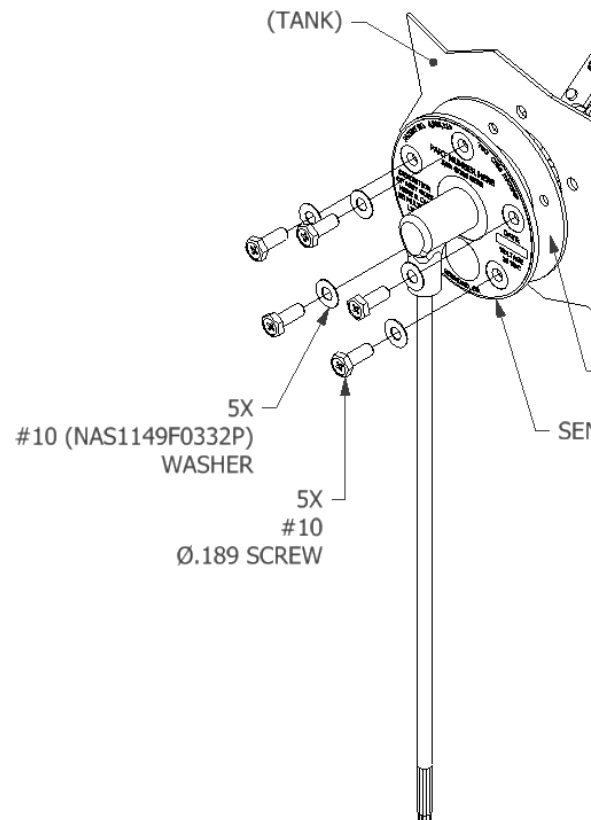
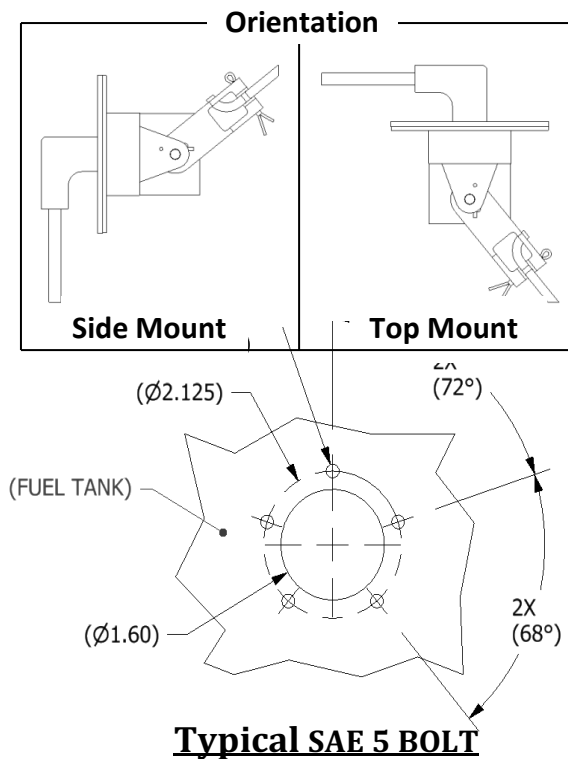
Senders that are installed in a metal aircraft or in a metal tank must be bonded to the aircraft structure in one of two methods described in Section 5.1. This bonding provision is critical to prevention of an ignition source in the event of a lightning strike.



Reference the Aircraft Maintenance Manual for appropriate sender torque specifications and for applicable sealant installation requirements. Isolating washers are not required for CiES Fuel sender installations and are not desired or required. In a new installation or absent any specifications, Torque screws 18-22 in. lbs. using a crossing pattern.



Over torqueing or using a circular torqueing pattern may cause “damage” to gasket and/or sender and be the source of a fuel leak.



3.3. Mounting Details

CiES Fuel Senders due to the patented sensor system allow far more travel than a traditional resistance sender. This travel range is a distinct advantage that makes CiES systems simpler to construct and install. However:



It is recommended to complete the electrical installation prior to physically mounting the senders in the aircraft



It is very important to ensure that the installed sensor arm is free to move from the top to the bottom of the tank after the sender is attached or in position in the fuel tank. The sender may be trapped against a bladder if the sender is not first fit to flush with the tank mounting surface.



There is a potential to install the sender and trap the sender float and float arm against the aircraft fuel tank or internal fuel tank obstructions and rendering the sender incapable of measuring a change in fuel volume. Insure the sender is flush with the tank surface, and the float is free to move ,prior to tightening screws,



The float arm may be bent to clear small obstructions.



Figure 3-3 Clearance and Binding Illustration



A change in fuel volume directly below the float position of the CIES Fuel Sender should always change the frequency signal on the blue wire of the sender. Ensure that this is the case with either a visual inspection through the fuel filler or other fuel tank port, or by a measurement of frequency on the blue wire with power applied to the fuel sender.



Sender values on both fuel tanks and in mirrored positions should be have nearly identical blue wire frequency values.



The sender body is not a ground for the CiES Fuel Level Sender, the ground wire BLACK must be connected separately to a good aircraft ground. This is especially important for analog output senders as a poor ground will allow the sender output to float or rapidly change values.

4. ELECTRICAL INSTALLATION

4.1. Operating Voltage:

Operating Voltage Range	
<i>Voltage "VDC"</i>	9 - 28

4.2. Power Consumption:

<i>Voltage "Vdc"</i>	<i>Steady State Current "mA"</i>
14	17.1
28	9.6

4.3. Signal Output Range(s):

See note 1:

Output Type	Signal	Range	Output Range
Temperature			
Option 1	0-5 Vdc Square Wave	-50°C to +50°C -58°F to 122°F	Frequency 1,200Hz – 490Hz
Fuel Level	Output to be one of the following		
Option 2 Frequency	0-5 Vdc Square Wave	5° to 175° Angular Travel	Frequency 10K Hz – 64 Hz - Individual Sender Output Typically, installations are between 30 Hz (Multiple Senders) & 300 Hz
Option 3 Resistance	Resistance 0 - 280 Ohm	5° to 175° Angular Travel	Resistance 0 - 280 Ohm
Option 4 Voltage	Voltage 0 - 5 Vdc ²	5° to 175° Angular Travel	Voltage 0 - 5 Vdc ²

Note 1: Customer selects configuration based on the AML and Section 2 of this manual.

Note 2: Voltage can be varied up within 2 volts of VDC input

4.4. Wire Color Designations

<i>WIRE DESIGNATIONS</i>		
<i>Wire Color</i>	<i>Designation</i>	<i>CiES Fuel Sender Type</i>
Red	Power	All CC284022 (XXXX)-(XXX)
Black	Ground	All CC284022 (XXXX)-(XXX)
Blue	Fuel Qty "OUT" in Hz	All CC284022 (XXXX)-(XXX)
Orange	Temp. "OUT" In Hz (Option) Or Low Fuel Annunciation	(Special Application only Contact CiES)
Orange/Red	Fuel Qty "IN" Hz (Master/Slave)	CC284022 (XXXX)-(XXX) Master
Gray	Fuel Qty "IN" Hz (Master/Slave)	CC284022 (XXXX)-(XXX) Master
Green	Fuel Qty "OUT" (0-5V)	CC284022 (XXXX)-(XX5) or (5XX) Only CC284022-(XXXX)-(XX6) Only
Purple	Fuel Qty "OUT" (0-280 ohms)	CC284022 (XXXX)-(XX3) or 3XX Only CC284022-(XXXX)-(XX4) Only

- Wiring: 20 & 22 AWG wires - M22759/11-20-X, M22759/16-20-X or M22759/16-22-X
- Heat Shrink - MIL-DTL-23053/16
- High performance elastomer Heat Shrink Boot with self-sealing adhesive, MS25171-1S Nipple, or Heat Shrink MIL-DTL-23053/16.

4.5. Connectors:

CiES Inc. senders are not supplied with connectors unless specifically requested by customer. Reference each individual assembly for clarification, connector specifications, and/or pin assignments.

5. ELECTRIC INSTALLATION

CiES Inc. fuel quantity senders operate in a different manner than traditional resistive float senders even though they bare a slight resemblance.



CiES Inc. fuel quantity senders are powered, they require aircraft DC level voltage and a good aircraft ground connection to operate. This additional added power wire requires fault protection per the requirements in AC43.13-1B Section 4 Table 11.3.

As the power consumption is very low for CiES senders, you may provide less current than the recommendations in the Advisory Circular for 20 or 22 gauge wiring typically 1 to 2 Amps is sufficient. You will have to add the number of CiES senders installed in the aircraft to get a reasonable value of inflight current consumption.



Revise the aircraft electrical load analysis and ensure that consumption is only 80% of aircraft electrical load capacity



Utilize wire types approved for the aircraft in the installation of the fuel level sender power and signal wires. If no listing of approved wire types is available, use M22759/11-20-X.

Follow the existing fuel sender signal wire routing for new power wire or new power wire and signal wire in the aircraft, ensure that lacing, wire ty wrap and wire support are maintained in the existing wire bundle.



Ensure that the chosen aircraft ground connection is less than 0.3 Ohms to the aircraft battery.

In tanks where two or more sensors are required, the most inboard sensor is the master, and the other senders are slaves. Slaves communicate with the master sender in digital or frequency mode only.

In a single sender tank configurations, the sender is the master.

Master sender output is a choice of digital or analog.

5.1. BONDING (Metal and Metal Tank Aircraft Only)

CiES Inc. fuel quantity senders that are installed in a metal aircraft or in a metal tank must be bonded to the aircraft structure in one of two methods:

- ⓘ Burnish one sender attachment position so that the protective anodize is removed. Ensure bonding by measuring resistance of the attachment screw to a known aircraft ground. The resistance should be less than 0.03 Ω .
- ⓘ Burnish one sender attachment position and attach a ground braid with a ring terminal and attach the other end of the braid to grounded aircraft structure as close as practical to the sender unit. It is acceptable to use an existing bonding connection if it exists from the sender unit being replaced. Ensure bonding by measuring resistance of the attachment screw to a known aircraft ground. The resistance should be less than 0.03 Ω .

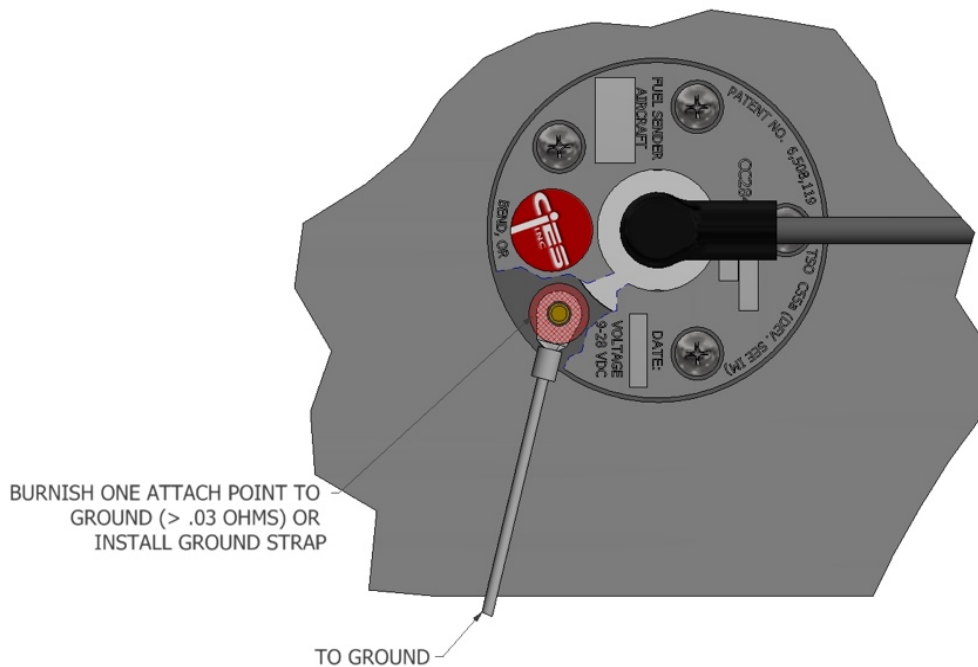


Figure 5-1 Bonding for Lightning Protection

5.2. GENERIC INSTALLATION SCHEMATICS - DIGITAL OUTPUT

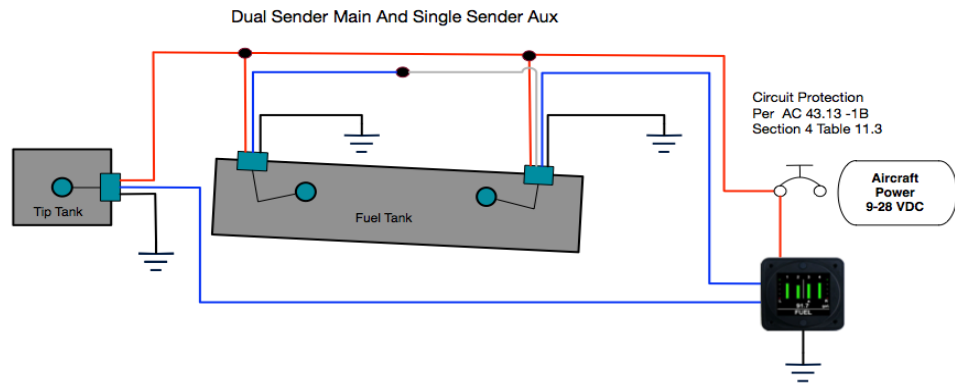


Figure 5-2 Fuel Sender Schematic: Dual Sender Main and Single Aux Tank

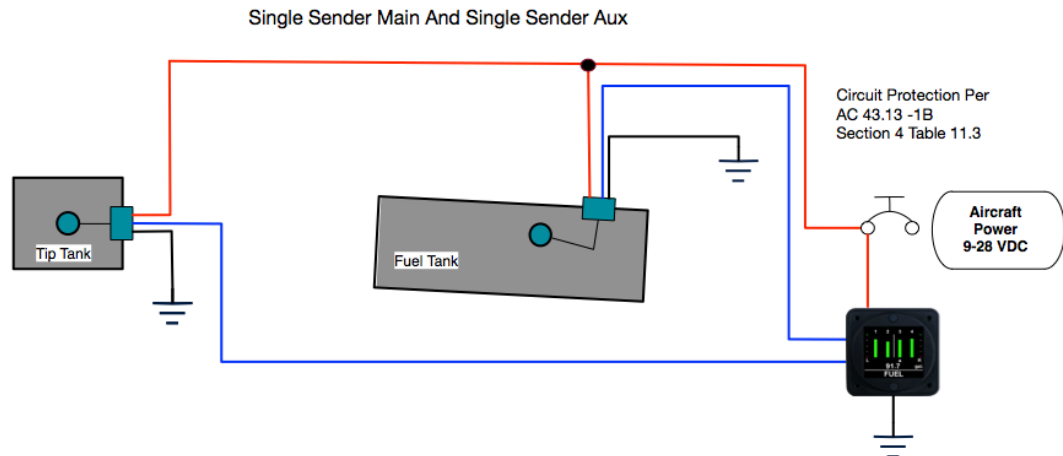


Figure 5-3 Fuel Sender Schematic: Single Sender Main and Single Aux Tank

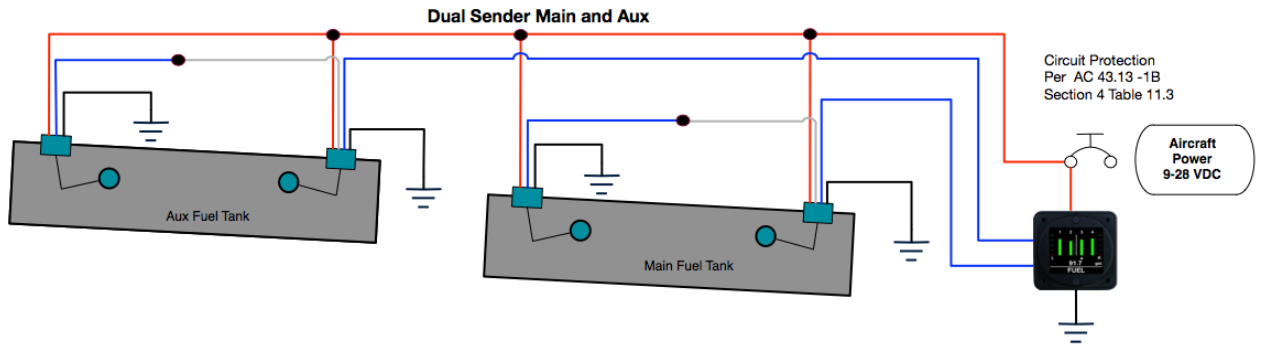


Figure 5-4 Fuel Sender Schematic: Dual Sender Main and Aux Tank

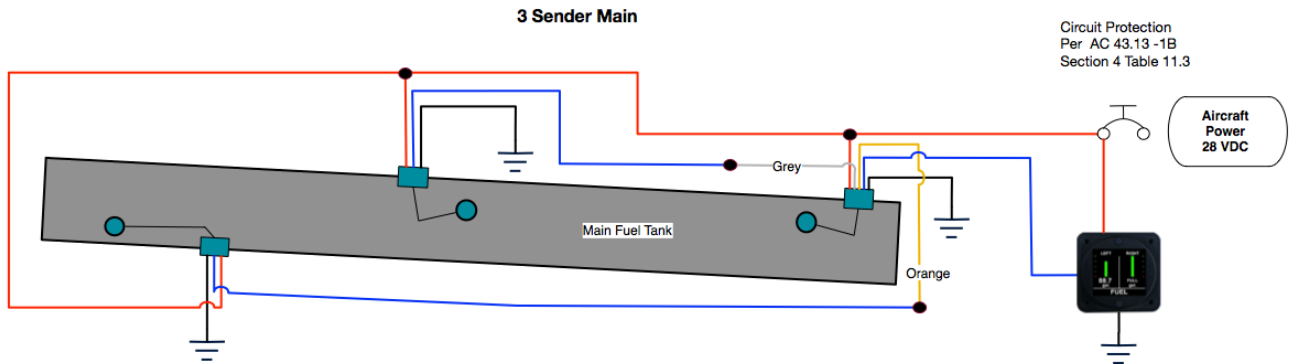


Figure 5-5 Fuel Sender Schematic: Three Sender Main

5.3. ANALOG VOLTAGE OUTPUT

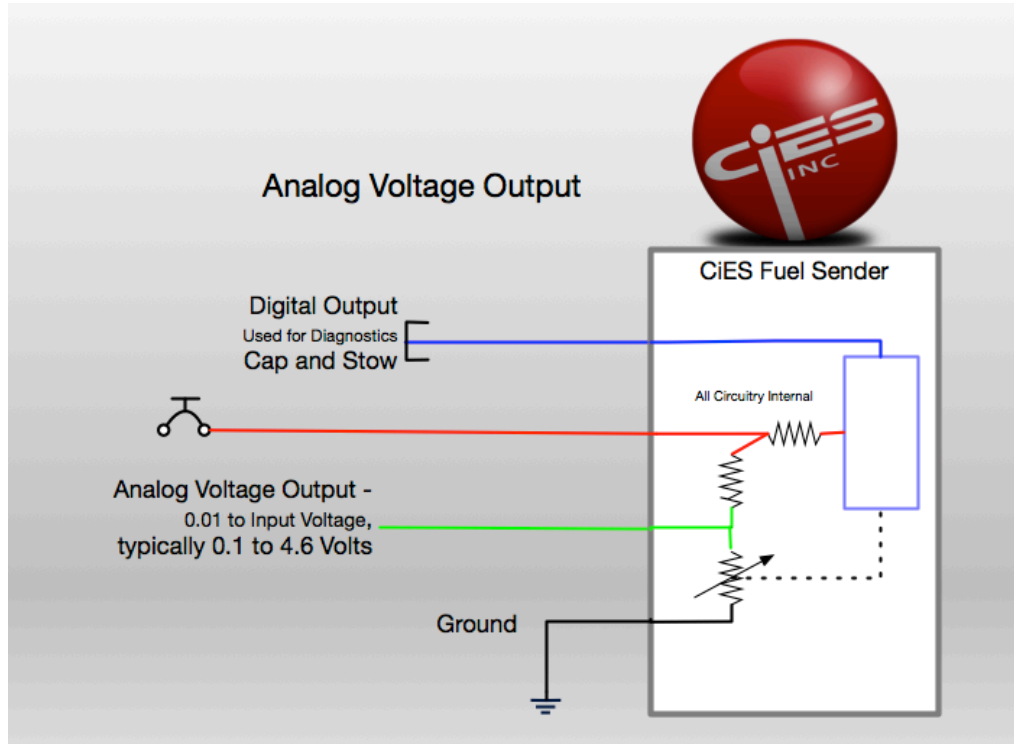


Figure 5-6 Analog Voltage Out Illustration

For an analog output the fuel sender operates similarly to a variable resistor to ground in analog voltage mode and will create a 0.1 to 4.7-volt output.



This analog voltage output is the normal input for a JPI or EI display that previously used resistive senders and had a conversion box attached to convert resistance to voltage. The resistors shown in the illustration are incorporated into the sending unit

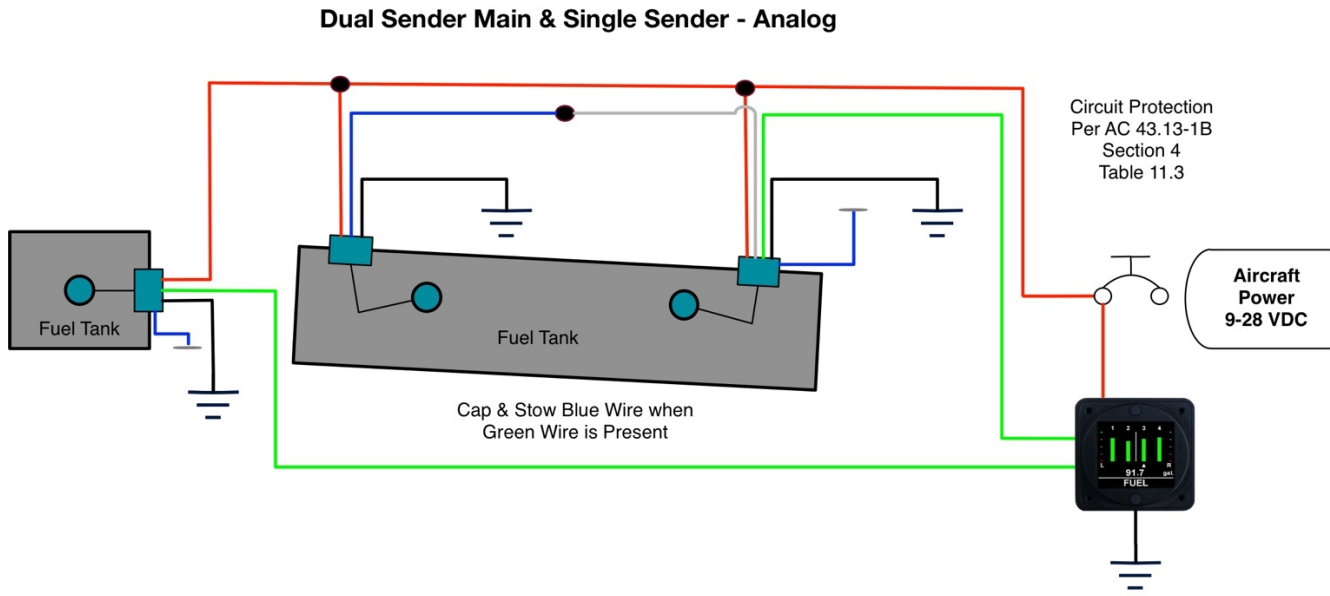


Figure 5-7 Fuel Sender Schematic: Dual Sender Main and Aux Tank Analog

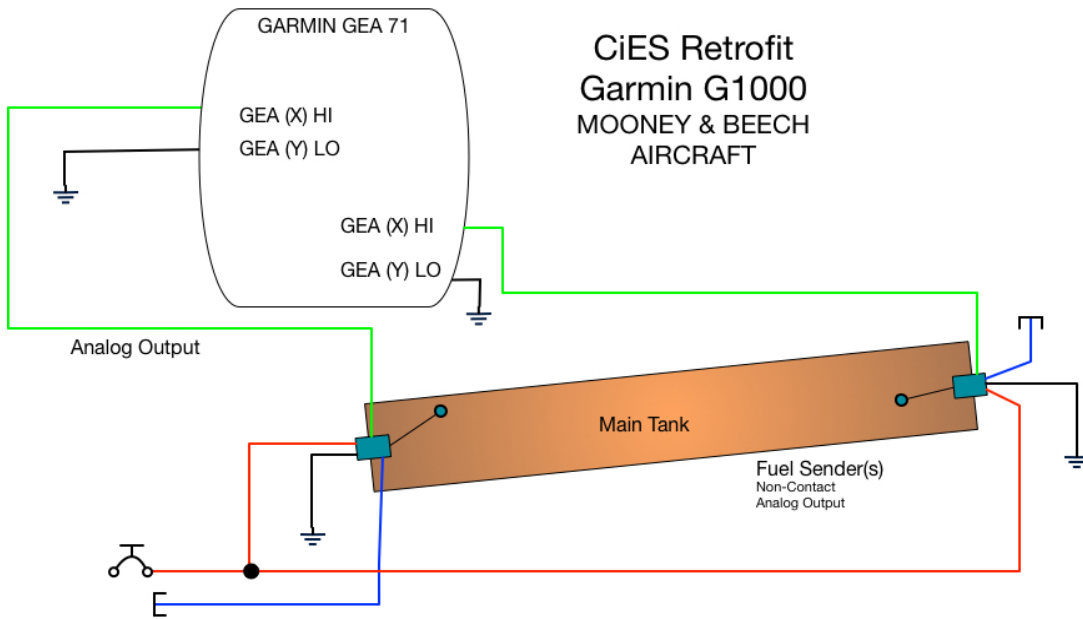


Figure 5-8 Fuel Sender Schematic: Garmin G1000 Interface Mooney and Beech Only

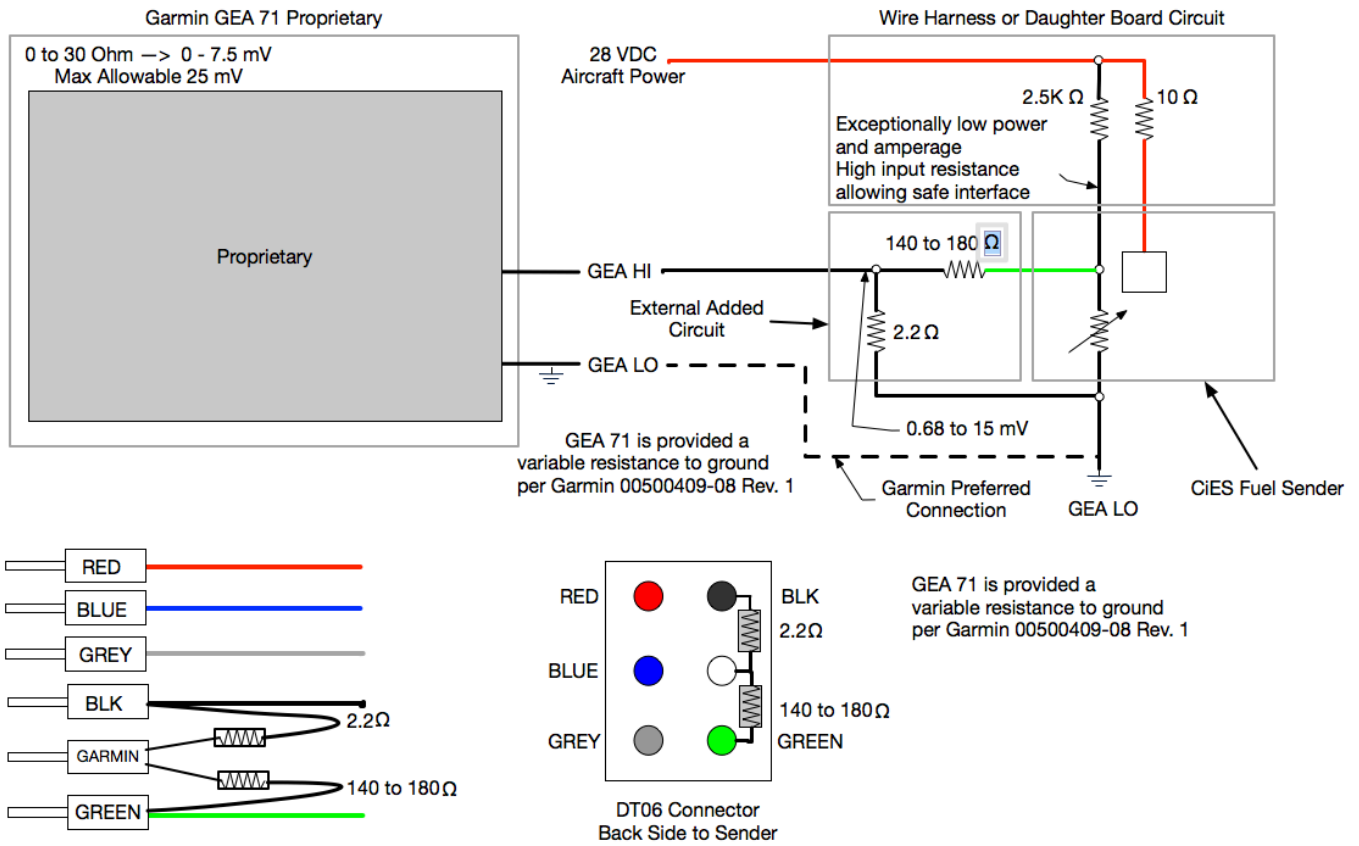


Figure 5-9 Fuel Sender Schematic: Garmin G1000 Connector Interface – Mooney & Beech Only

M Series Retrofit - Analog Output
PIPER AIRCRAFT



Right Side Shown - Left Opposite

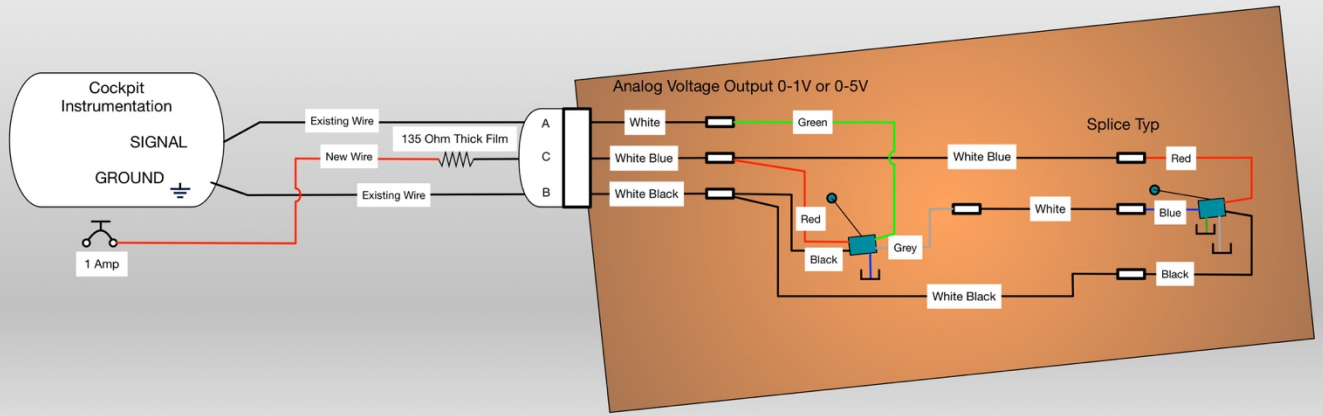


Figure 5-10 Fuel Sender Schematic: Piper Malibu

5.4. IMMERSED FUEL SENDERS

For installation where the sender is located entirely within the fuel tank (not attached to the outer tank or tank boundary) as on the Piper M Series, Cessna LC Series (TTx) or Cessna Twin Tip tank installations a current reducing resistor, and in the case of metallic aircraft a nylon tank conduit is required to insure that in the case of a wire breakage there is no potential for a spark of sufficient energy to initiate combustion if the tank were empty.

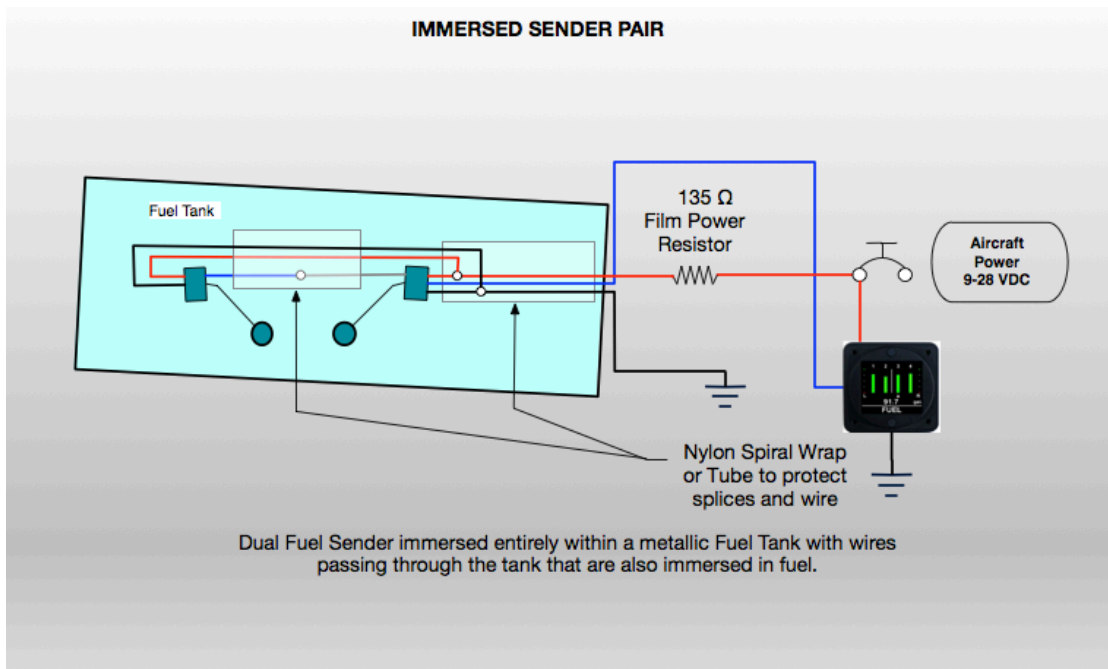
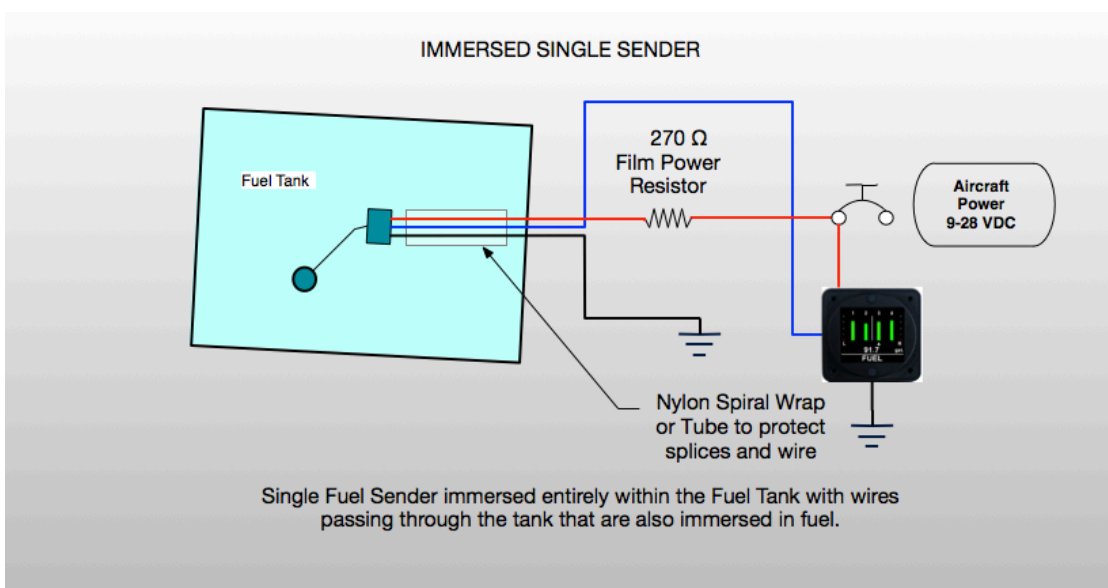


Figure 5-11 Fuel Sender Precautions Immersed Sender Pair



5.5. JPI 9XX ANALOG INPUT

For Existing JPI instruments Installed in the aircraft and not new or converted:

An existing JPI 9XX Series Display can be modified to allow **an analog input** from a CiES Fuel Sender. Despite the references to resistance JPI utilizes a variable voltage input for all analog fuel senders. JPI accomplishes this by utilizing a separate external voltage divider box or signal conditioner. This box accepts the resistive input and converts the signal to an analog 0 - 4.6 volt output for use by the JPI analyzer to determine fuel level. These boxes are highlighted below in Figure 5-13

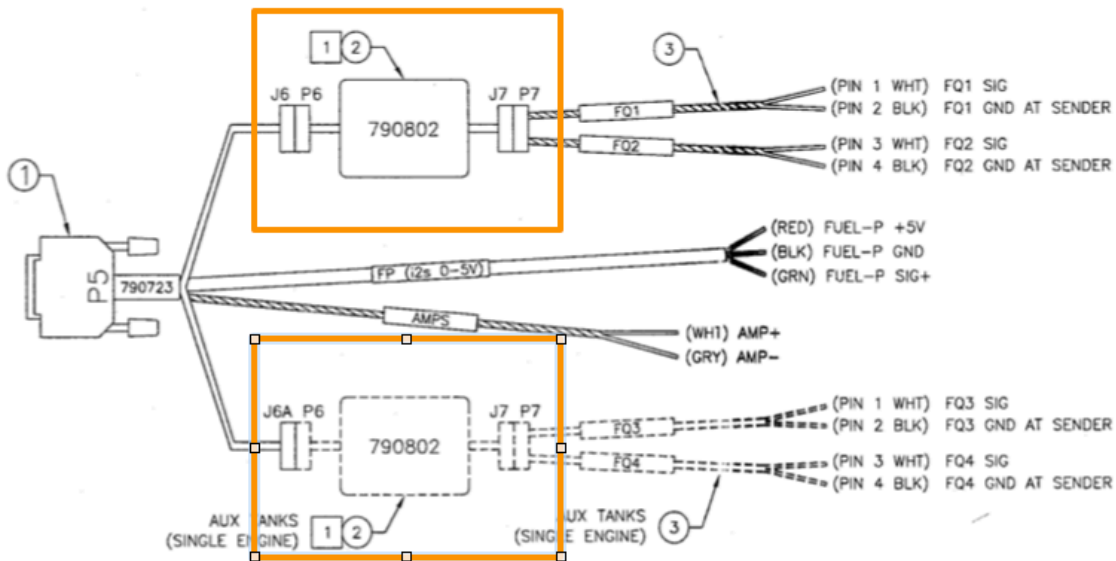


Figure 5-13 JPI Fuel Sender Harness

These signal conditioner boxes will need to be bypassed to allow the variable voltage output provided on the green wire of the CiES fuel sender to be used. Originally between J6 and P7 there is a JPI 790802 Signal Conditioner that converted the old resistance readings of the fuel senders to 0-4.6V for the JPI analyzer.

CiES senders outputting 0-4.6V, therefore the function of this Signal Conditioner is not needed and can be removed. However, you can't just plug J6 and P7 together and have it work. You have to rearrange the pins on P7 to match up J6.

Looking at J6 from left to right, pin 1 is 5vdc (white), pin 2 is Ground (Blue/white), pin 3 is Signal #1 (Green/White), and pin 4 is Signal #2 (White). The P7 must be reconfigured by moving male pins around to the following configuration left to right, pin 1 Disconnect, pin 2 (Black) Ground at sender, pin 3 Signal #1 (White), pin 4 Signal #2 (White). Wire colors may have changed.

Operation with this connection may be better on the aux tank interface- contact JPI for assistance.

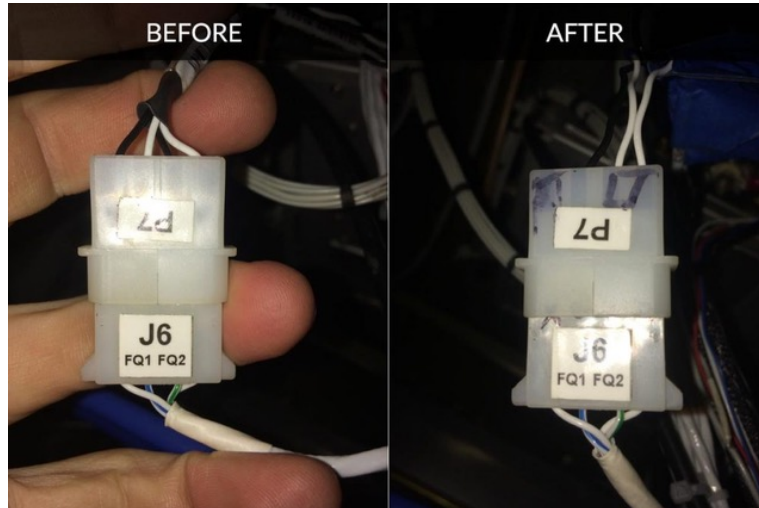


Figure 5-14 JPI Fuel Sender Connections

Schematically the modification looks like Figure 5-15 with the CiES Fuel Sender Green wires connected to the JPI bypassing the signal conditioner.

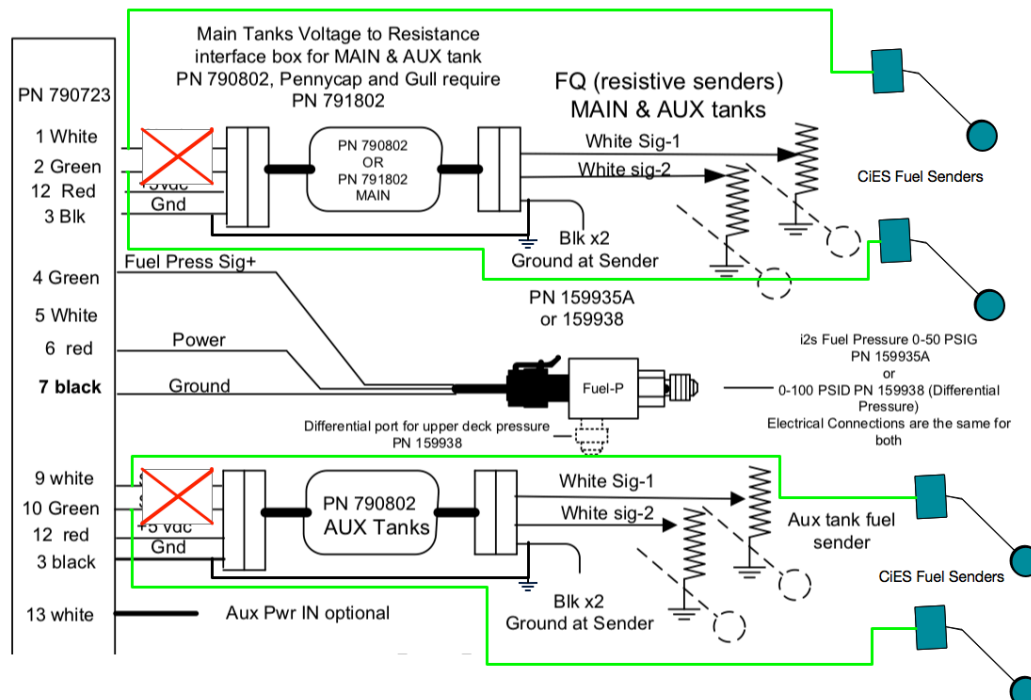
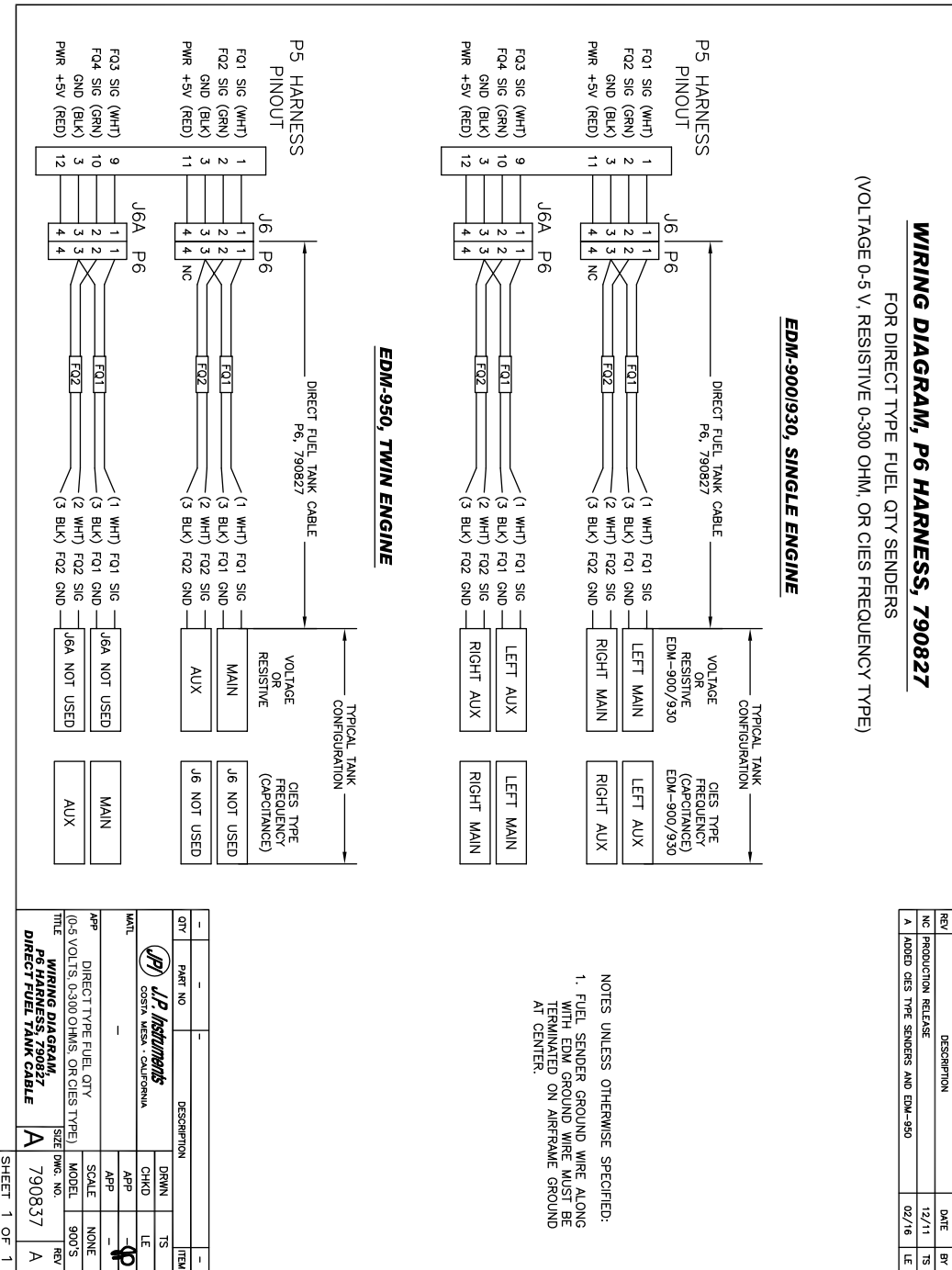


Figure 5-15 JPI Fuel Sender Revised Schematic

5.6. JPI 9XX DIGITAL Frequency) INPUT For New or Converted JPI instruments




5.7. ANALOG RESISTANCE OUTPUT:


(Future Reference - Not utilized at this time)

6. CALIBRATION

The following calibration procedures must be successfully completed for each tank on each aircraft after installing the CiES sending unit and prior to returning the aircraft to service.

Fuel volume measurement methods used in all steps of the calibration process must be accurate to within 3%. Graduated fluid volume measurement containers are preferred for measuring fuel quantity. If you choose to measure fuel by weight, you must accurately determine the density of the fuel and convert the measurements to volume measurements. Do not rely on indications from fuel dispensing equipment.


 Fuel volume measurement methods used in all steps of the calibration process must be accurate to within 3%. Graduated fluid volume measurement containers are preferred for measuring fuel quantity. If you choose to measure fuel by weight, you must accurately determine the density of the fuel and convert the measurements to volume measurements. Do not rely on indications from fuel dispensing equipment.

 Use appropriate ignition prevention practices when draining and filling tanks

6.1. Calibration Procedures:


For multi-function displays and for dedicated fuel quantity indicators installed under a supplemental type certificate (STC), use the fuel quantity indicator calibration method that is called for by the applicable display system or indicator STC. The calibration procedure will typically be contained in the installation manual for the installed display device.

For displays and indicators provided as original equipment on an aircraft, use the calibration procedure contained in the aircraft maintenance manual.

 If you are unsure of the correct calibration procedure to use, contact CiES for assistance

6.2. Setting the Unusable Fuel Quantity:

The calibration process at some point will call for the fuel loaded in the tank being calibrated to be equal to the unusable fuel quantity determined for that tank. That quantity is the unusable fuel quantity determined for that tank by test under § 23.959 or its predecessor regulations. The fuel quantity indication system will be calibrated to read “zero” or “empty” at this fuel quantity when the airplane is in a level flight attitude.

 The unusable fuel level is normally listed in the FAA type certificate data sheet (TCDS) for each airplane model. If the unusable fuel is not listed in the applicable TCDS, you must contact CiES for assistance in determining the unusable fuel level that was established by the original manufacturer.

An acceptable method for setting the fuel quantity in the tank at the identified unusable fuel quantity is to drain the tank as fully as possible using the tank drains (this is usually most effective with the airplane at the normal ground attitude), and then to add the unusable fuel quantity listed in the TCDS for that tank. Other methods may be used if accepted by the FAA inspector or designee that returns the airplane to service.

To achieve a FAA compliant Fuel Quantity indication in the cockpit as required by Part 91 and 135 operating rules. The fuel gauge is to read from full to empty for each tank.

Information, including FAA Approved Installation Manuals and FAA Pilot Handbooks that indicates that general aviation fuel quantity is only to be accurate at "Zero" is erroneous and a misstatement of the regulations.

These regulations require the pilot to accurately determine all usable fuel in the aircraft from **EMPTY** to **FULL**.

- Where **EMPTY** is the FAA flight test determined and Type Certificate Data Sheet, or aircraft Maintenance Manual published aircraft "**zero usable fuel quantity**".
- Where **FULL** is the published maximum fuel level indicated on the TCDS and fuel tank placard.

A FAA compliant fuel quantity system is to accurately read remaining **Usable Fuel** quantity per the aircraft FAA Approved Maintenance Manual requirements in any position between **FULL** and **EMPTY** values in level flight.

The FAA compliant display will drop consistently from **FULL** to **EMPTY** with the draining of the fuel tank in normal flight attitude in still air.

Calibration is achieved by the TSO and/or STC Instrumentation Requirements, listed in the specific FAA Approved Instrument Installation Manual or procedures listed in the Aircraft Maintenance Manual. Absent a listed procedure the following applies:

- The aircraft will be jacked and leveled.
- The aircraft will be emptied of fuel.
- The applicable unusable fuel quantity listed in the TCDS will be added to the tank.
- Confirm the cockpit display reads **EMPTY** and are within the tolerances established by the FAA Approved Aircraft Maintenance Manual if provided.
- Any numerical value on the cockpit display will be confirmed and checked by adding that value of fuel to the tank in addition to the unusable fuel.

FULL fuel will be checked in a similar manner where the gauge will read Full.

For example:

If the gauge has markings at 5, 10, 15 gallons - that amount of fuel will be added and the cockpit display checked to ensure that gauge accuracy is maintained. (within the tolerances established by the FAA approved Aircraft Maintenance Manual).

6.3. Garmin Factory G1000

 All CiES senders interfacing with Garmin G1000 systems are produced to factory specification,

If the indicated values shown on the Garmin Fuel Tank Calibration Page for CiES fuel sender inputs fall below the floor level at empty and or above the ceiling level at full, place the cursor over the values and adjust the floor and ceiling levels to be the input CiES sender value shown on the “Sensor Inputs” utilizing a value -10% shown for floor values and +10% for ceiling values.

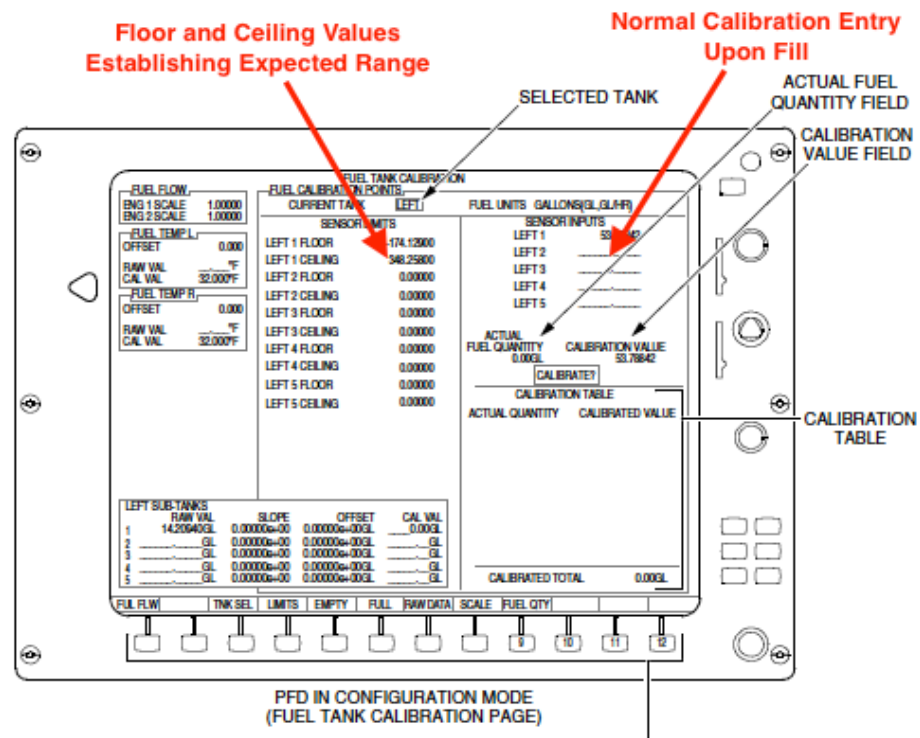


Figure 6-1 Garmin Fuel Calibration Page

6.4. Garmin G600 Txi, & G500 Txi EIS-

Have your Garmin Dealer Contact CiES for Instructions

6.5. Garmin G3X

See Garmin G3X Installation Manual

6.6. Rochester Gauges –

First adjust the low gain fully counterclockwise prior to calibration.



DO NOT press down hard or force potentiometers outside 280 range during adjustments. Doing so will damage potentiometers resulting in physical damage to the fuel quantity gage.



Adjust FULL trim potentiometers to center travel prior to making EMPTY adjustment. Failure to do so may result in FULL trim potentiometers running out of travel before FULL adjustment can be obtained.



Adjust FULL trim potentiometers to center travel prior to making EMPTY adjustment. Failure to do so may result in FULL trim potentiometers running out of travel before FULL adjustment can be obtained.

- Adjust FULL trim potentiometers to center travel.
- Slowly adjust Empty trim potentiometer for each tank with zero fuel onboard until needle indicates zero gallons



The Rochester Gauges Fuel Level gage responds slowly, lightly tap on rim of gage and allow approximately 1 minute between each adjustment

- Turn off power to the fuel gage
- Fill both tanks to full fuel level quantity
- Restore power to the fuel gauge
- Slowly adjust full trim potentiometers until needle indicates full for both tanks



Figure 6-2 Rochester Fuel Gage

6.7. REQUIREMENTS:

While **CiES** Inc. fuel senders are FAA TSO C55a approved and has met a quality standard of 0.75% of tank capacity, that standard can only be met in the aircraft installation **if and only if**, the aircraft instrumentation, whether that instrumentation is TSO'd C55a or not, has the capability of accurately displaying at that level of sender accuracy. The AML STC SA02511SE prescribes the correct pairing of the CiES fuel sender with the appropriate FAA approved cockpit instrumentation and this information is also found in Section 2 of this manual.

A fuel quantity installation that meets the requirements of this manual must be able to effectively move between zero fuel and full providing an accurate representation of usable fuel in the cockpit.

Oscillations of fuel quantity $\pm 4\%$ of tank capacity in level flight & still air will require a replacement/refurbishment of the cockpit indication system to achieve an FAA compliant installation.

A fuel quantity installation that meets the requirements of this manual must be able to effectively meet the numerical, warning or cardinal indications present on the cockpit display or requirements of the POH or Service Bulletin. Absent a Aircraft Maintenance Manual tolerance indication, cockpit indicated values found in the POH and on the cockpit indication itself will fall within +1% and -3% of full tank capacity.

A low fuel annunciated warning may be incorporated that meets the requirements of the aircraft POH or FAR mandated operational requirements.

7. TROUBLESHOOTING

The simple design of the CIES fuel sender allows for only two common installation failures.



Yes, fuel senders have been historically troublesome in aircraft and they are typically the first to blame and that was the motivation to do something better. While this material is covered in the manual, it is presented here in tabular form to assist in troubleshooting an installation in the aircraft.

CiES senders are found on the majority of new aircraft manufactured around the world. We build hundreds of sensors per month and our quality rating runs above 99% for all Aircraft OEMs

CiES senders are thoroughly circuit tested, burnt in and retested before delivery – a sender issue is a very rare occurrence.

A simple bench test with a voltage source and a DMM (Digital Multimeter) having Hx setting will confirm proper operation.

Installed sender issues fall into three categories

	ISSUE	CAUSE	WHAT TO CHECK
1	No Indication Erratic Indication Partial Indication	You have no or insufficient power to the sender.	Check power directly at the sender – Do not assume that wire attachment to the CB panel or that a new wire run insures power at the sender.
	Not reaching Full or Empty		Check that the ground is attached and there is little resistance to ground.
2	Fuel Quantity does not change with addition of fuel	The sender is physically restrained in the tank	Check that the float is not bound against the bottom of the tank, tank sealant, structure in the tank or wiring.
	Not reaching Full or Empty		
3	Display is erratic or does not appear	Improper display configuration or wrong input pin location	Consult with the display manufacturer for direction or see interface discussion in Section 6 of this manual.

8. **STC INSTRUCTIONS FOR CONTINUED AIRWORTHINESS**

G23.1 General

This section constitutes the required Instructions for Continued Airworthiness. This document is found on <https://www.ciescorp.net/instructions-for-continued-airworthiness.html>

G23.2 Format

This manual section forms the CiES CC284022 Series Instructions for Continued Airworthiness.

G23.3 Content

The contents of this manual is presented in the English language.

(a) *Airplane maintenance manual or section.*

(1) Introduction

This system is a modification to the aircraft fuel quantity system. The system utilizes a float or floats to detect the fuel level surface and transmits this data electronically to an FAA Approved fuel quantity instrument in the cockpit. All the maintenance manual aircraft requirements for fuel quantity accuracy requirements still apply.

CiES fuel quantity senders require aircraft power for operation and while they are physically identical in utilizing the existing mounting locations hardware and gaskets. (Reference Section 3)

(2) Description

The fuel indication system measures the fuel in the tank by transmitting an angular position of the of float or floats from a fixed position of the sender in the tank. These floats ride on the surface of the fuel and in some instances the senders linearize that angular output to integrate to the existing fuel quantity indication. The sensor measures this angle in a non-electrical contact manner using a magnetic field detection.

The wiring location run in the installed aircraft for the additional power wire and the ground wire attachment should be noted in the box below. The signal wire to the cockpit is in the same wiring location as indicated in the aircraft wiring diagram. The additional power wire should follow the same wiring run as the original signal wire in the aircraft. A local ground can be utilized in metallic aircraft, otherwise the ground wire should follow the same wiring run as the original fuel quantity signal wire.



(3) Operation

The sensor measures this angle in a nonelectrical contact manner using a magnetic field detection. The magnetic field is located at the pivot point of the sender body. This position may be transmitted by a 5 Volt square wave frequency signal or a linearized analog voltage or current (resistive) output. (Reference Section 4.3)

(4) Servicing

The fuel level senders have no maintenance requirements or needs. The sensors function and require no re-calibration for sensor output. If a sensor has failed or fails to provide reliable or accurate fuel quantity output in the cockpit it needs to be replaced. Reference the aircraft maintenance manual for sender location.

b) Maintenance Instructions.

(1) Scheduling

- On Condition

(2) Trouble Shooting

Each CiES fuel sender outputs a frequency including analog output senders (blue wire) and operation of the individual sender can be determined if a frequency output exists when power is applied to the sender with the ground wire attached. Power (Red), Ground (Black), and Frequency (Blue) are the only wires necessary to determine fuel sender operation.

- a) No Reading – check power to the sender unit, check blue signal wire for frequency output Hz with power on the sender, if an analog wire is connected check analog output, with power on the sender. Remove sender and inspect sender for proper working condition and potential interference from a foreign object in the tank.
- b) Incorrect Fuel Qty Level – check blue signal wire for frequency output Hz with power on the sender, if an analog wire is connected check analog output, with power on the sender. if there are multiple senders in the tank check each sender and check that connecting the slave senders to the master sender (Typically the inbd sender) changes the blue wire frequency output with power on all senders. Remove sender and inspect sender for proper working condition and potential interference in the tank.
- c) Unstable or Erratic Fuel Level Reading – insure that aircraft power is supplied to the sender and that the ground connection has less than 0.03 ohm resistance to a known airframe ground like the aircraft engine mount or exhaust

(3) Repair Procedure

If the fuel sender is found to either not produce a digital frequency Hz output or an analog output, or the signal is erroneous, or erratic replace the sender and re-calibrate the cockpit instrument.

(4) Procedural Instructions

Utilize the fuel quantity calibration procedures found in the aircraft FAA approved maintenance manual or FAA approved aircraft instrumentation. The aircraft should be leveled and jacked to prevent movement when fuel is added or subtracted. (Reference Section 6)

(5) Other Instructions

No other requirements for service or maintenance.

G23.3 Airworthiness Limitations

- No Mandatory Replacement.
- No Time Limitation.

The Airworthiness Limitations section is FAA approved and specifies maintenance required under Sections 43.16 and 91.403 of the Federal Aviation Regulations unless an alternative program has been FAA approved” (required by regulation)

“There are no new (or additional) airworthiness limitations associated with the equipment and/or installation”