

4



3

DWG NO. CC2840330801

SH 1 REV. A

1

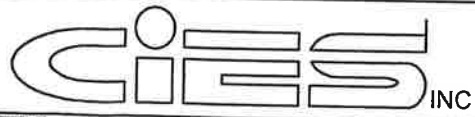

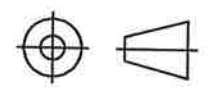
PROPRIETARY NOTICE
 INFORMATION DISCLOSED HEREIN IS THE PROPERTY OF CIES INCORPORATED. IT IS FURNISHED FOR EVALUATION PURPOSES ONLY AND SHALL NOT BE DISCLOSED OR USED FOR ANY OTHER PURPOSES EXCEPT AS SPECIFIED BY CONTRACT BETWEEN THE RECIPIENT AND CIES INCORPORATED. DUPLICATION OF ANY PORTION OF THIS DOCUMENT SHALL INCLUDE THIS NOTICE.

REVISION HISTORY			
REV	DESCRIPTION	DATE	APPROVED
-	INITIAL RELEASE	-	SEE BELOW
A	ALL SHTS: UPDATED TITLE. SHT2: CHANGED SEALANT (ITEM NO.25)	7/30/2018	DRAWN: A FACKRELL CHECKED:  APPROVED: 

NOTES:

- 1 CUT FOAM (ITEM NO. 32) AS SHOWN ON SHT 3 FOR CLEARANCE OF BRACKET (ITEM NO. 12). RESEAL CUT EDGE WITH SEALANT (ITEM NO. 23)
- 2 ATTACH BRACKET (ITEM NO. 12) TO ACCESS PANEL (ITEM NO. 31) USING 3 RIVETS (ITEM NO. 21) AND SEALANT (ITEM NO. 25). IF ACCESS PANEL ONLY HAS 2 HOLES DRILL AND COUNTER SINK A THIRD FOR MOUNTING.
- 3 MOUNT FUEL SENDER ASSEMBLY (ITEM NO. 11) TO BRACKET (ITEM NO. 12) USING BOLT (ITEM NO. 23), STOP NUT (ITEM NO. 24), AND WASHER (ITEM NO. 22) AS SHOWN ON SHTS 3 & 4.
- 4) SEE DRAWING NO. CC2840990801 OR 0802 FOR WIRING INSTRUCTIONS AND USE OF ITEMS NO. 26 & 27.
- 5) REFER TO AIRCRAFT MAINTENANCE MANUAL TO REMOVE AND REPLACE FUEL TANK ACCESS PANELS.

CONTROLLED COPY

UNLESS OTHERWISE SPECIFIED DIMENSIONS ARE IN INCHES. TOLERANCES ARE: DECIMALS ANGLES .X±.10 .XX±.03 .XXX±.010 ±.5'	CONTRACT NO.		 1375 SE WILSON AVE. SUITE 150 BEND, OR 97702
	APPROVALS	DATE	
DO NOT SCALE DRAWING	DRAWN A FACKRELL	12/6/2017	TITLE INSTALLATION ASSEMBLY - PIPER PA46
THIRD ANGLE PROJECTION	CHECKED 	4/2/2018	
	ENGINEER S PHILIBEN	4/2/2018	SIZE B
	APPROVED S PHILIBEN	4/2/2018	CAGE CODE 66YY1
			DWG NO. CC2840330801
			REV. A
			SCALE NONE
			APPROVED JUL 30 2018
			SHEET 1 OF 4

4

3

2

1

4

3

DWG NO. CC2840330801 SH 2 REV. A

1

QTY	PART NUMBER	DESCRIPTION	MATERIAL/SPECIFICATON	WEIGHT	ZONE	ITEM
1	N/A	CLOSED CELL FOAM				
1	N/A	ACCESS PANEL	(REF)			32
			(REF)			31
18	19164-0013	SPLICES				
2	PPC5W47	RESISTOR	(REF)			27
2	AC-350 B-1/2	AEROSPACE SEALANT	(REF)			26
5	AN363-1032	STOP NUT				25
5	AN3-4A	BOLT				24
5	AN960-10	WASHER				23
3	MS20426AD-3-5	RIVET				22
						21
1	CC284020818-001	MOUNTING BRACKET				
1	CC2840220818 & 0819-XXX	FUEL SENDER ASSEMBLY				12
						11
-	CC2840330801-101	INSTALLATION ASSEMBLY				
						1

PARTS LIST

CONTROLLED COPY

		1375 SE WILSON AVE SUITE 150 BEND, OR 97702	
TITLE INSTALLATION ASSEMBLY - PIPER PA46			
SIZE B	CAGE CODE 66YY1	DWG NO. CC2840330801	REV. A
SCALE NONE	APPROVED JUL 30 2010		SHEET 2 OF 4

4

3

2

1

4

3

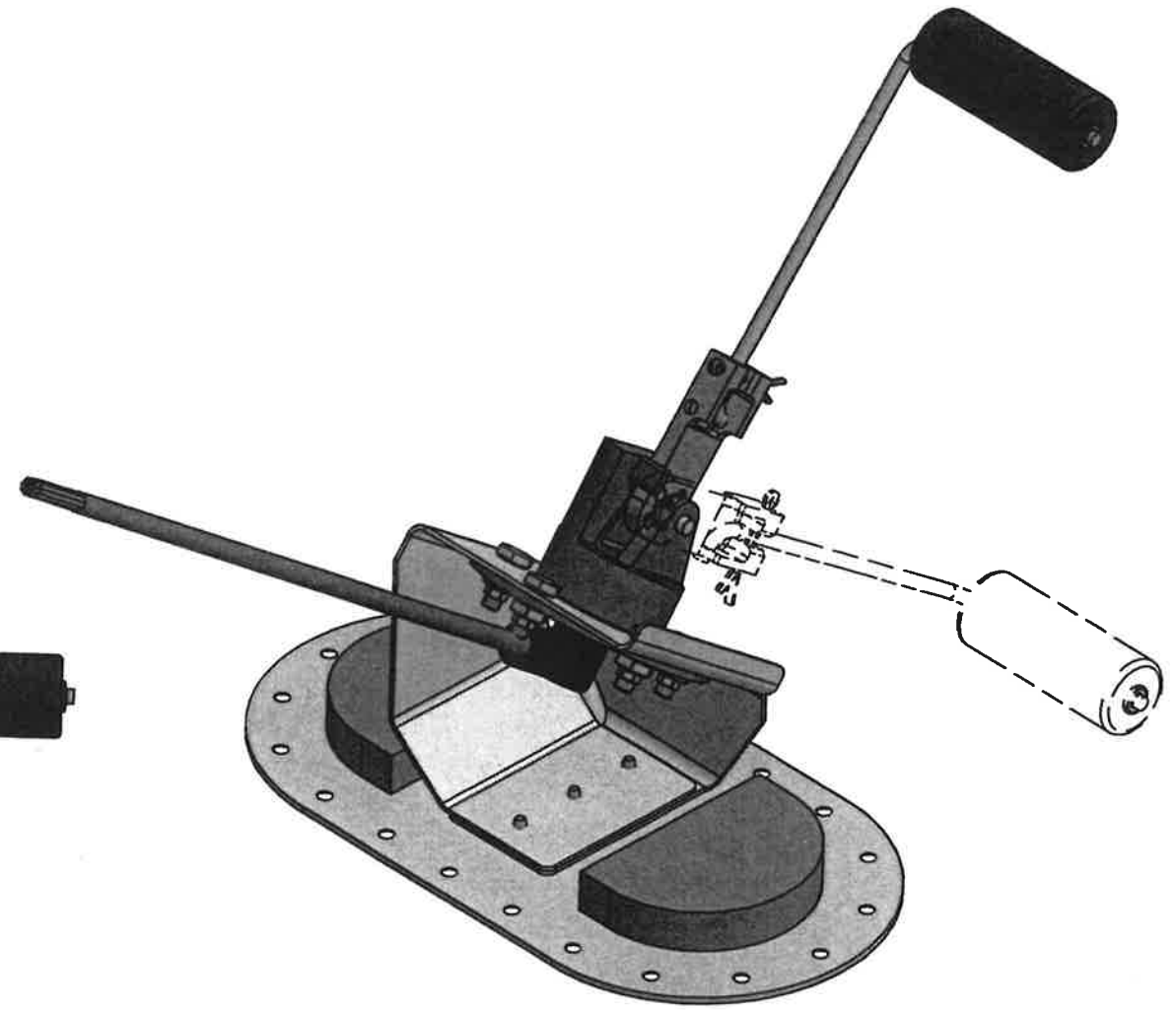
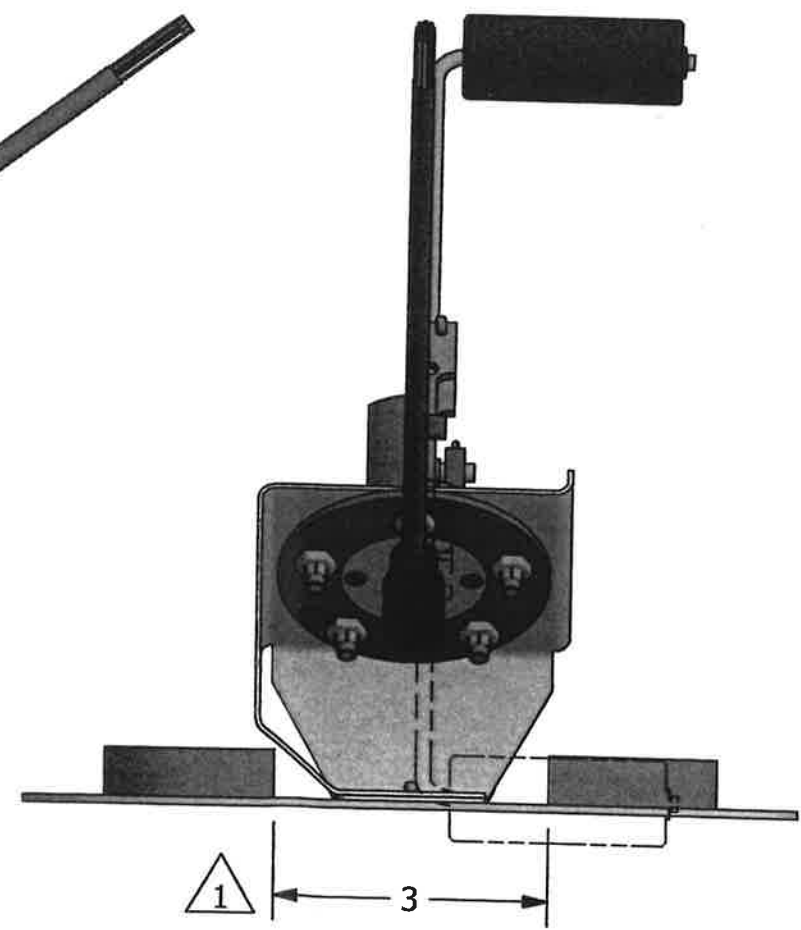
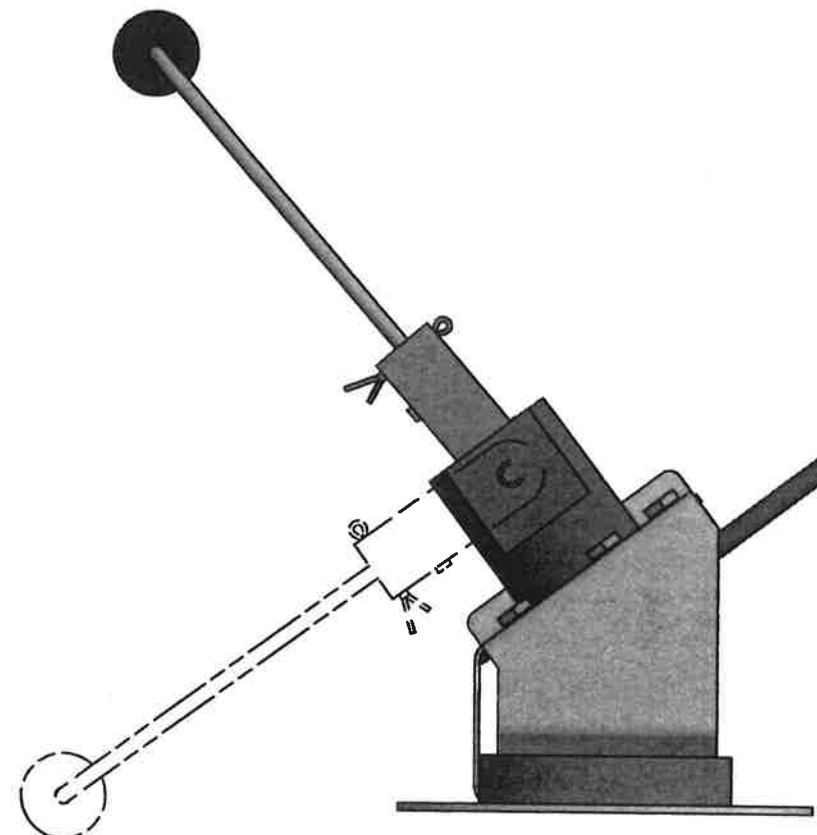
1



2X (26) REF



18X (27) REF



ISOMETRIC VIEW
FOR REF ONLY

-101 INSTALLATION ASSEMBLY

CONTROLLED COPY

CIES INC		1375 SE WILSON AVE SUITE 150 BEND, OR 97702	
TITLE INSTALLATION ASSEMBLY - PIPER PA46			
SIZE B	CAGE CODE 66YY1	DWG NO. CC2840330801	REV. A
SCALE 1 / 2	APPROVED JUL 30 2016		SHEET 3 OF 4

4

3

2

1

4

3

DWG NO.

CC2840330801

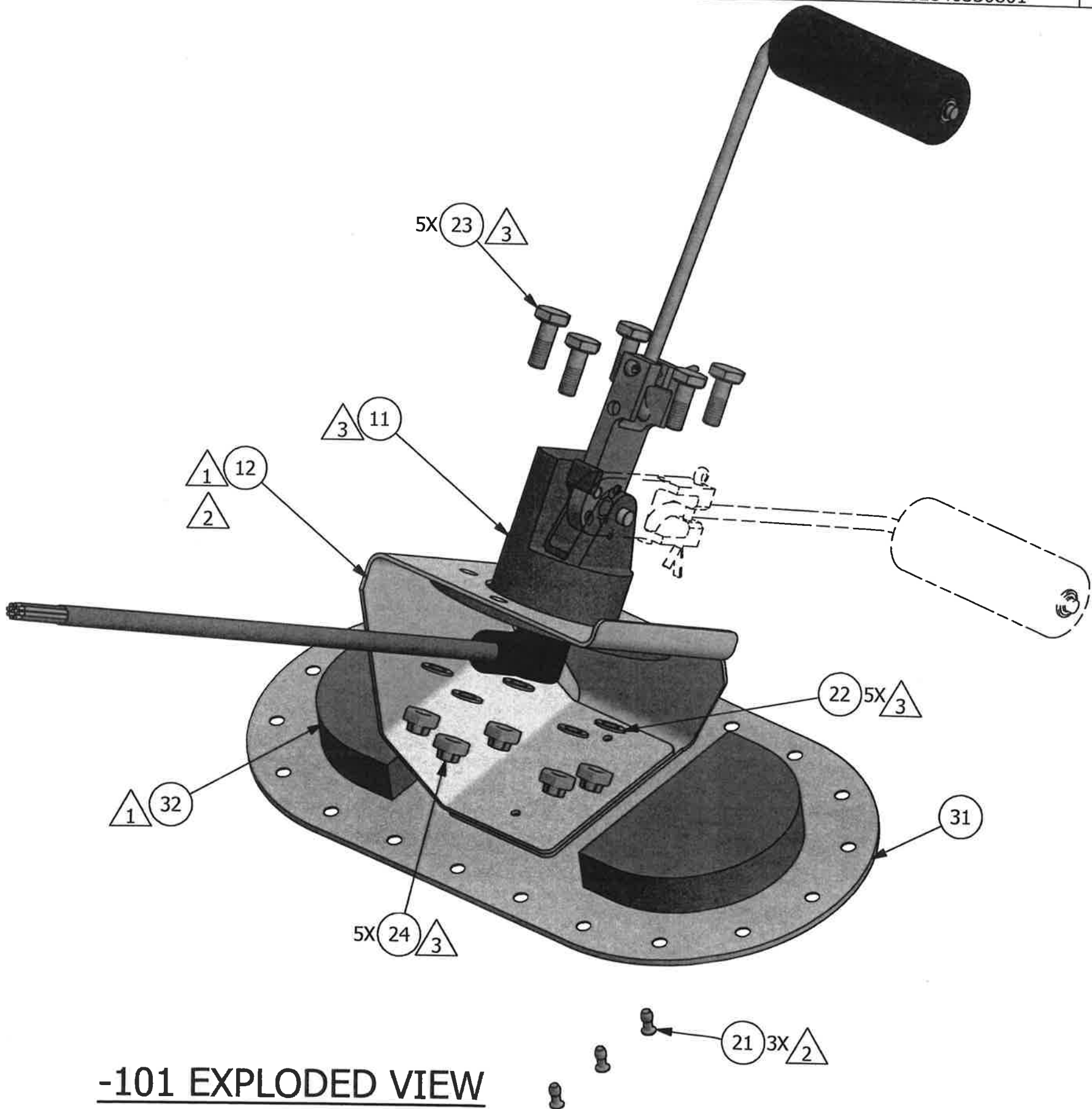
SH

4

REV.

A

1



-101 EXPLODED VIEW

CONTROLLED COPY

CIES INC

1375 SE WILSON AVE
SUITE 150
BEND, OR 97702

TITLE

INSTALLATION ASSEMBLY -
PIPER PA46

SIZE

CAGE CODE

DWG NO.

REV.

B

66YY1

CC2840330801

A

SCALE

3 / 4

APPROVED JUL 30 2018

SHEET 4 OF 4

4

3

2

1