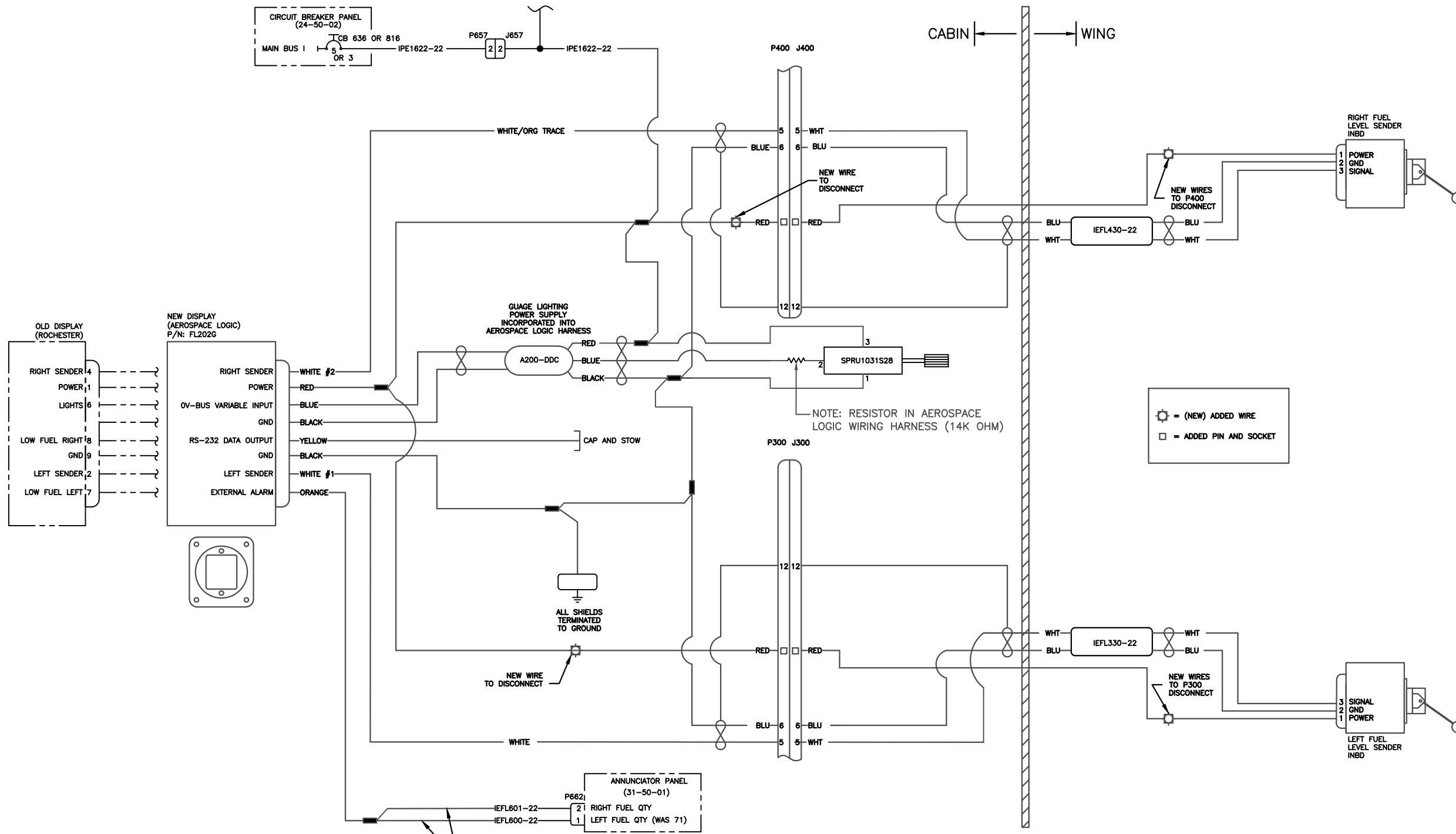
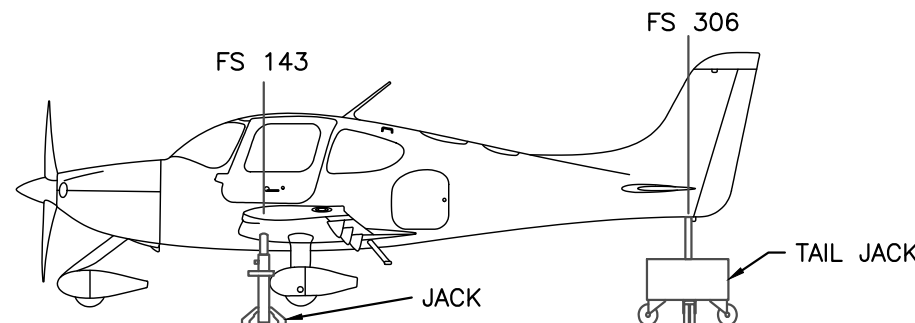
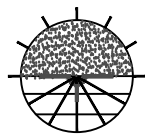


CIRRUS SR20 G1/G2 AVIDYNE & 6-PACK AIRCRAFT AEROSPACE LOGIC DISPLAY

08/10/2016



NOTE:
AIRCRAFT MUST REMAIN
LEVEL DURING ENTIRE
CALIBRATION PROCESS



INSTALL JACK STANDS
PER AIRCRAFT MM PRIOR TO CALIBRATION

