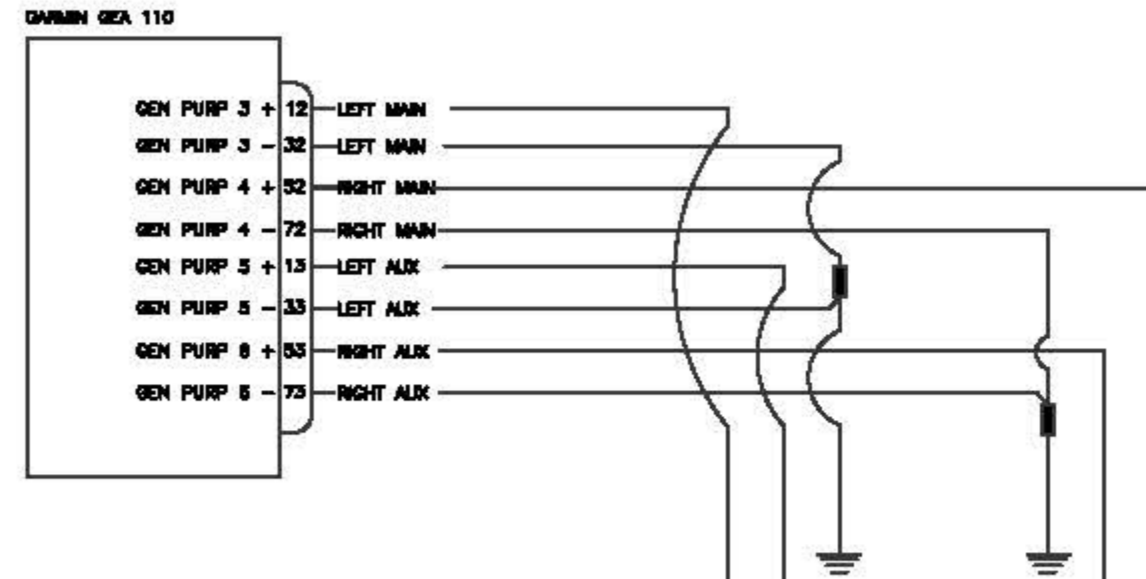
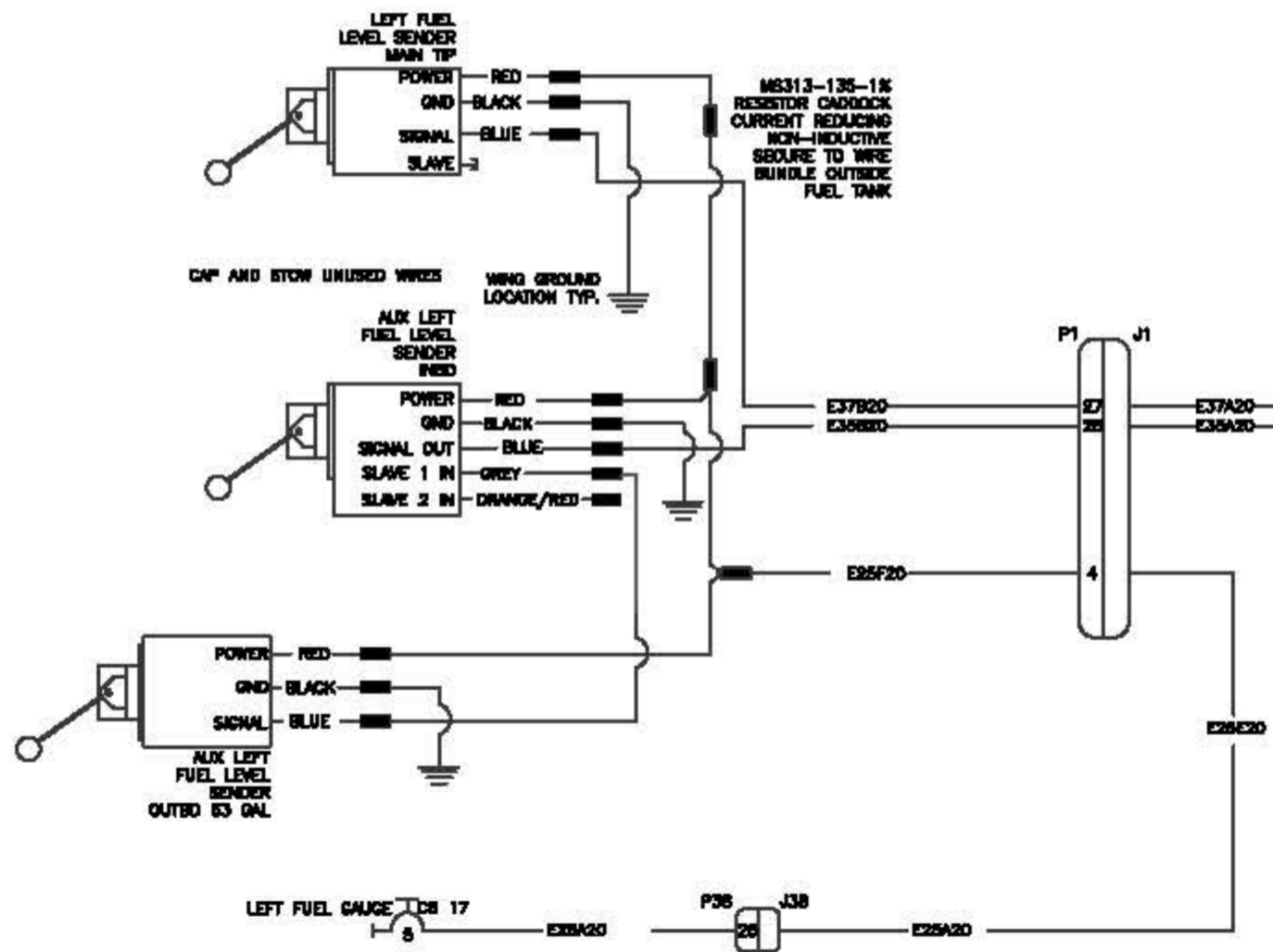


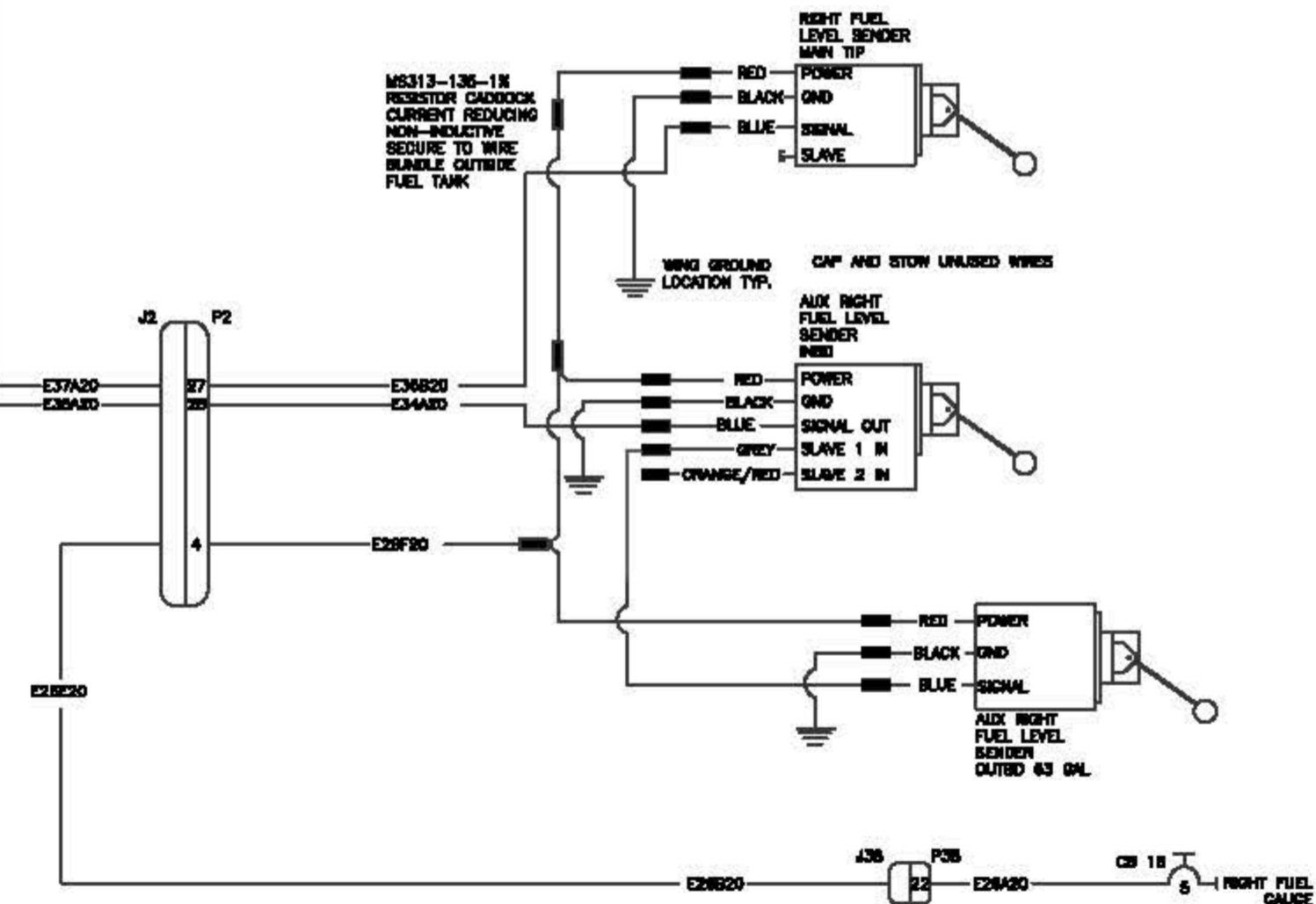
# CESSNA TWIN FUEL SENDER SCHEMATIC



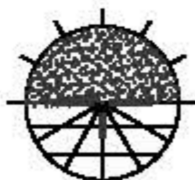
REMOVE SIGNAL CONDITIONER



REMOVE SIGNAL CONDITIONER



NOTE:  
 AIRCRAFT MUST REMAIN  
 LEVEL DURING ENTIRE  
 CALIBRATION PROCESS



INSTALL JACK STANDS AND LEVEL AIRCRAFT  
 PER AIRCRAFT MM PRIOR TO CALIBRATION