

CiES Fuel Sender retrofit

Part Numbers:

CC2840220641-1P1	INBD
CC2840220643-1P1	OUTBD
CC2840220644-1P1	TIP

Cessna Twin Engine Aircraft
Models :



CiES Inc.
63049 Lower Meadow Dr
Bend, Oregon 97701 USA
ciescorp.com

This document and all information contained is the property of CIES INC. Delivery and disclosure of this document and its contents is in no way intended to be a waiver of intellectual property rights. Only CIES INC. is authorized to reproduce or disclose these materials to a third party. This document and its content shall not be used for any purpose not authorized by CIES INC.



CiES Fuel Sender Retrofit

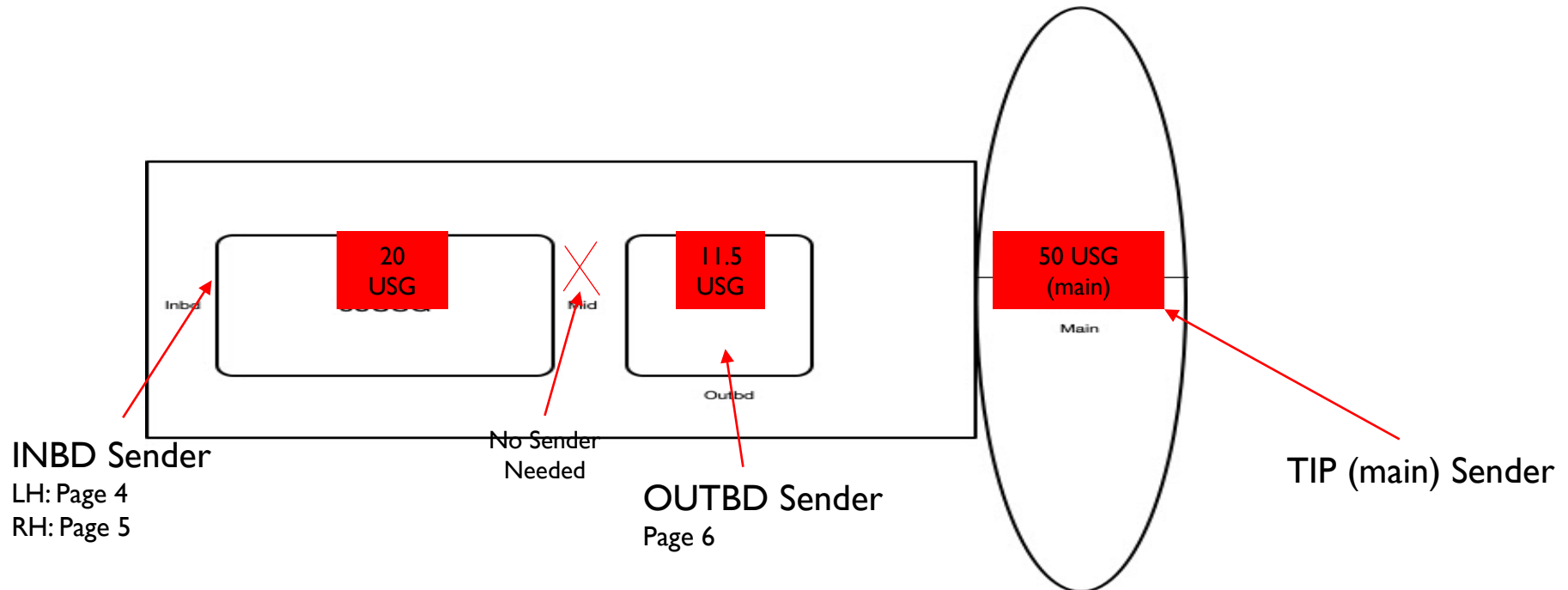
Cessna Twin Engine Aircraft

163-gallon Fuel system consists of:

Two main (tip) tanks with 50 gallons each

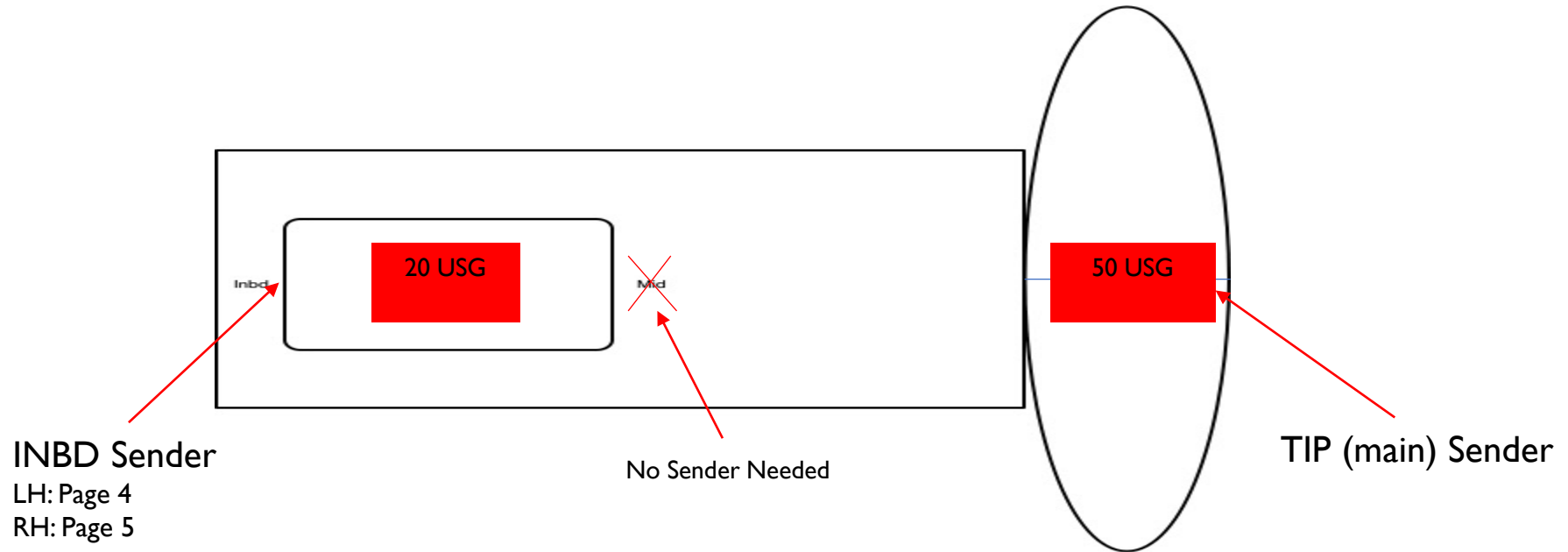
Two aux tanks with 20 gallons each

Two aux tanks with 11.5 gallons each (the aux tanks register as 31.5 gallons per side, though they are separate tanks)





140-gallon Fuel System consists of:
Two main (tip) tanks with 50 gallons each
Two aux tanks with 20 gallons each





CiES Fuel Sender Retrofit

Cessna Twin Engine Aircraft

LH INBD Fuel Sender Location

Sender location to be accessed by removing the battery box.



CiES Fuel sender and bracket installed



CiES Fuel Sender Retrofit

Cessna Twin Engine Aircraft

RH INBD Fuel Sender Location

The Right hand INBD sender is blocked by the flap motor assembly.

After removal of the flap motor, installation of your new CiES fuel sender will be the same as the LH unit.





OUTBD sender can be accessed by removing the filler access panel

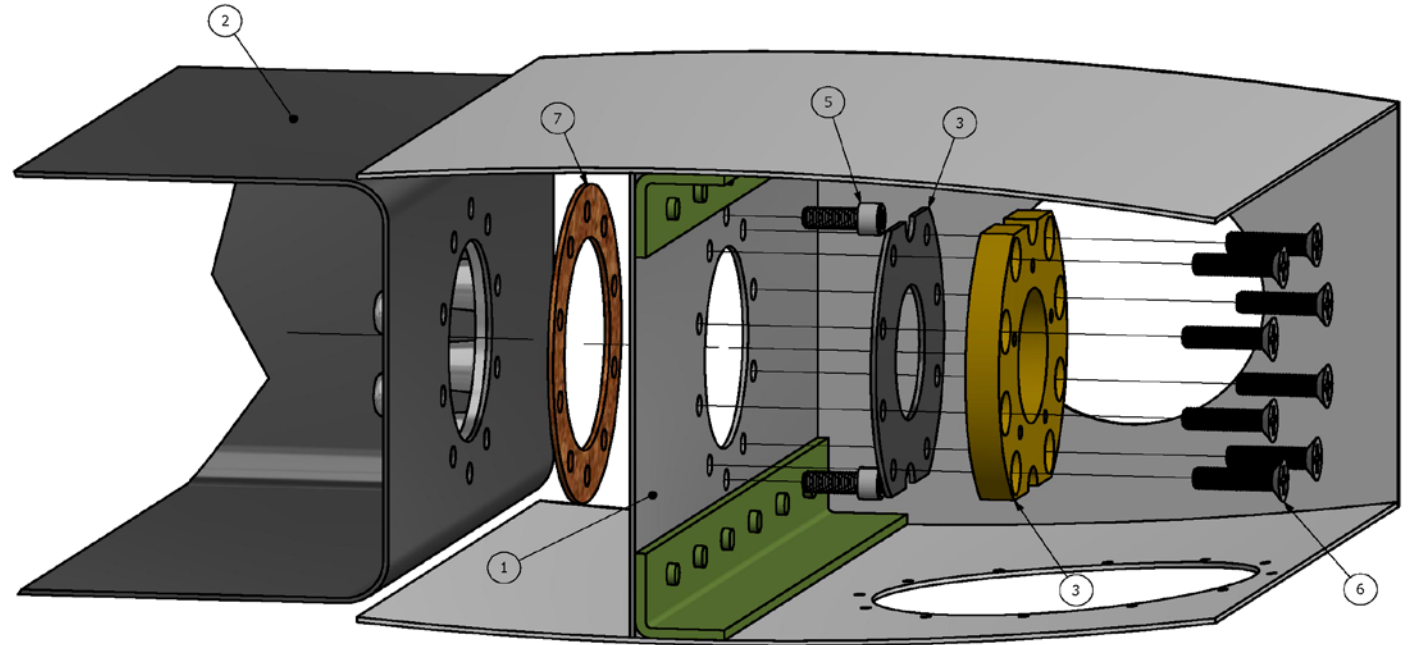


Original fuel sender viewed from bottom access panel.





OUTBD Fuel sender installation diagram.



1. SECURE BLADDER WITH NUTRING (ITEM 2) TO BACK OF SPAR (ITEM 1) USING THE CORK GASKET (ITEM 7) AND 2 SOCKET HEAD SCREWS (ITEM 5).
2. SECURE ADAPTER PLATE (ITEM 3) AND GASKET (ITEM 4) TO FRONT OF SPAR WITH 8 FLATHEAD SCREWS (ITEM 6).
3. FUEL SENDER CAN NOW BE MOUNTED TO THE ADAPTER PLATE WITH THE STANDARD GASKET.



CiES Fuel Sender Retrofit

Cessna Twin Engine Aircraft

Tip Tank (main tank) Fuel Sender

For your installation, you will need to create a standard 5-hole pattern in the interior panel of the tank.

If possible, remove the panel to allow easier access.

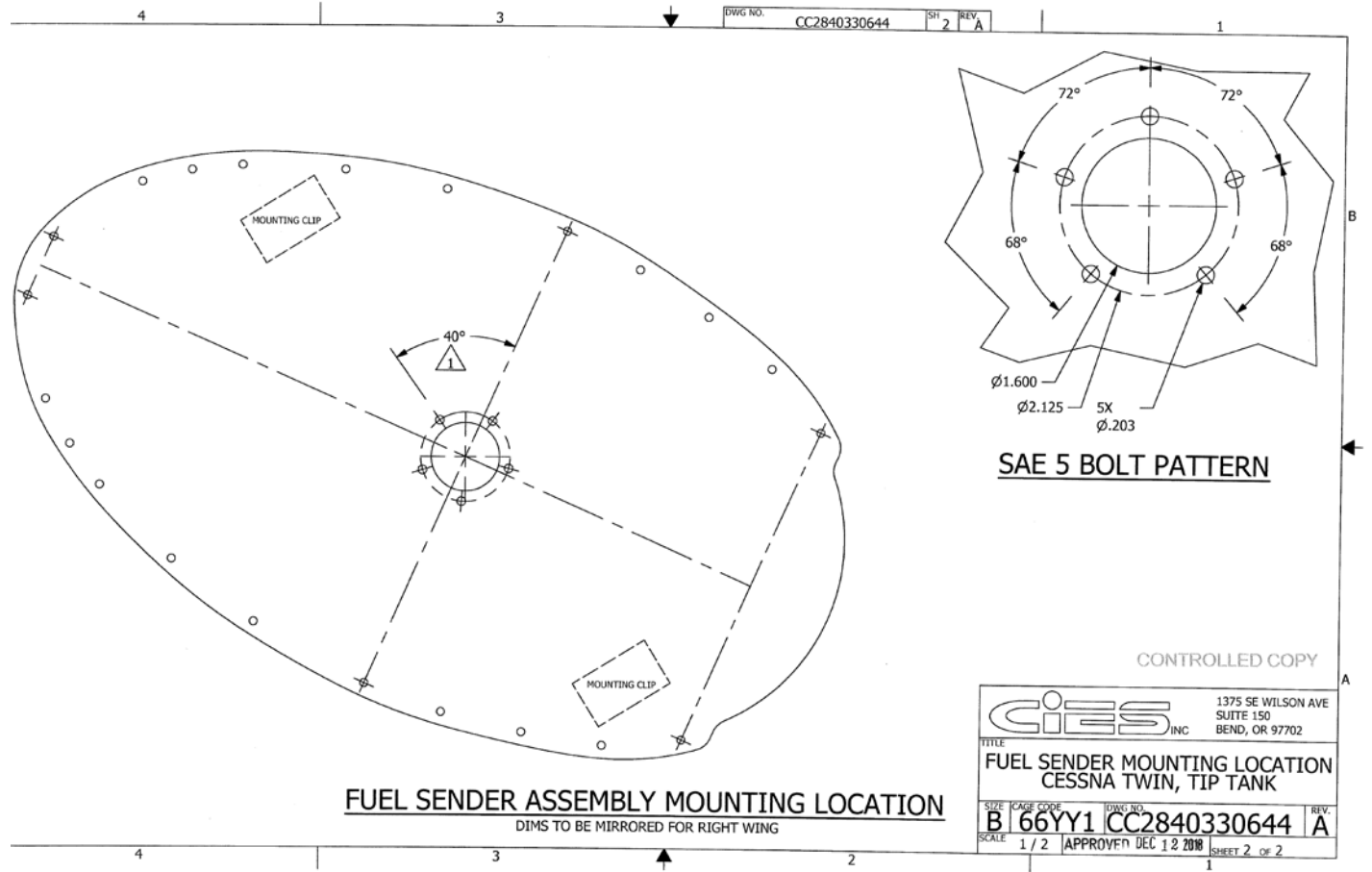




CiES Fuel Sender Retrofit

Cessna Twin Engine Aircraft

New cutout should be centered in the panel between the capacitance mounting clips.





CiES Fuel Sender Retrofit

Cessna Twin Engine Aircraft

Tip Tank (main tank) Fuel Sender Continued

